



 **PORTAGANTRY**[®]

This product is patented

REIDLIFTING.COM

Our top quality and highly durable **PORTAGANTRY** is lightweight and extremely strong. This portable system can be manually assembled, using just four bolts and can safely lift to 5000kg, making it ideal for multiple applications.

Key features

- EN795:2012 Certified
- ATEX Certified
- Can support goods and personnel lifting;
 - Goods WLL of up to 5000kg
 - Personnel WLL of up to 2500kg
- Suitable for up to 5 persons for fall protection applications
- Beams and A frames can be interchanged
- Ergonomic 360° swivel-locking castors, as standard
- Ease of assembly including height and span adjustment
- Anodised for increased corrosion resistance
- Engineered designs and bespoke sections reduce weight, providing lightweight portability

Configurations

The **PORTAGANTRY** is available in a range of configurations and can be customised in line with specific requirements (subject to WLL rating).

The **PORTAGANTRY** has the ability to be moved under load. (Subject to detailed instruction and supervision by a competent person).



**500-5000KG
WLL**



**1-4 PERSON
ASSEMBLY**



**92-294KG
FLAT PACK**



**EN795
CERTIFIED**



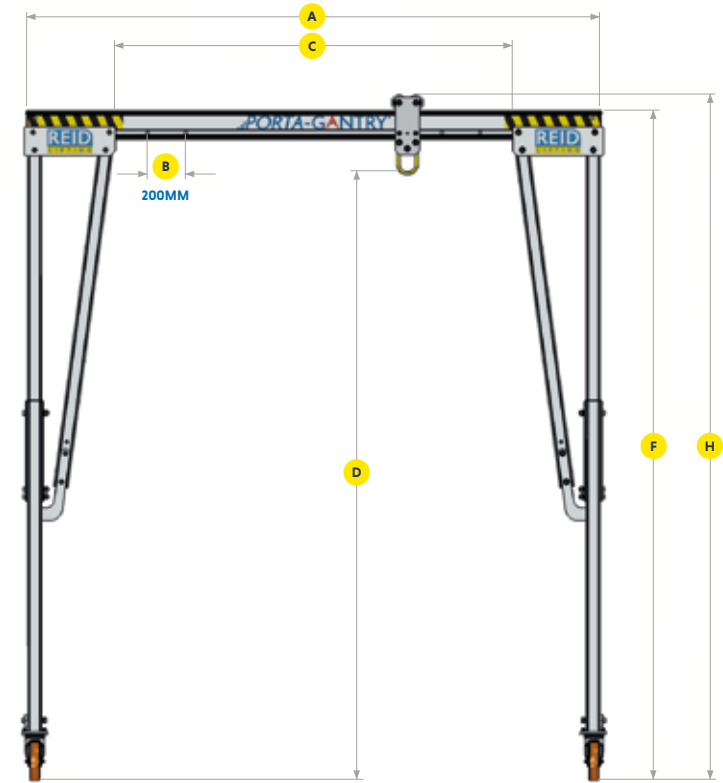
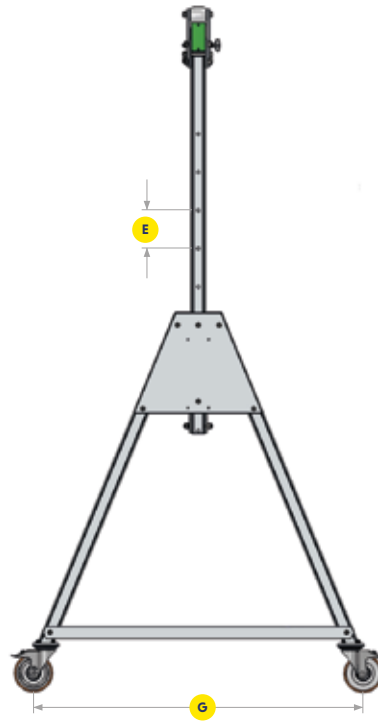
**ATEX
CERTIFIED**

Features & Performance

	500	1000	2000	3000	5000
Accreditations, Certifications & Standards					
EN795:2012	✓	✓	✓	✓	✓
PD CEN / TS16415:2013	✓	✓	✓	✓	✓
ANSI Z359.18-17	✓	✓	✓	✓	✓
AS/NZS 5532:2013	✓	✓	✓	✓	✓
ATEX Certified [Zone 2]	✓	✓	✓	✓	✓
ATEX Certified [Zone 1]	Optional	Optional	Optional	Optional	✗
IRATA	✓	✓	✓	✓	✓
Capacity					
Max Goods Lifting (kg)	500	1000	2000	3000	5000
Max Personnel Lifting (kg)	250	400	750	1000	2000
Fall Arrest (Persons)	3	3	5	5	5
Dimensions					
Min Height of Lift (mm)	1605	1605	1605	1660	2181
Max Height of Lift (mm)	5829	5829	5829	5527	5000
Min Available Span (mm)	2500	2500	2500	2500	2500
Max Available Span (mm)	9000	9000	8400	8400	5500
Trolley Options					
Standard	✓	✓	✓	✓	✓
Gated	✓	✓	✓	✓	✓
Close Coupled	✓	✓	✓	✗	✗
Gear Driven	✓	✓	✓	✗	✗
Integrated Hoist	✓	✓	✓	✗	✗
Standard Features					
Ratchet Height Adjustment	✓	✓	✓	✓	✗
Gear Height Adjustment	✗	✗	✗	✗	✓
Mechanical aid Assembly	✗	✗	✗	✗	✓
Optional Extras					
Lobed Cheek Plates	✓	✓	✓	✓	✓
Winch Upgrade	✓	✓	✓	✓	✓
Wind Up Jack legs	✓	✓	✓	✓	✓
Trolley Rope Control System	✓	✓	✓	✓	✓
Festoon System	✓	✓	✓	✓	✓
Jointed Beam	✓	✓	✗	✗	✗
Finishes					
Anodised	✓	✓	✓	✓	✓
316SS Fixings	Optional	Optional	Optional	Optional	Optional
Marine Spec	Optional	Optional	Optional	Optional	✗

PORTAGANTRY® 500-5000

- A** Beam length
- B** Beam adjustment
- C** Clear operating span
- D** Height to lifting eye
- E** Height increment
- F** Height to top of beam
- G** Width
- H** Height to top of roller



Standard Beam Length A (mm) (Clear Operating Span C = A - 920 mm)

A (mm)	2500	3000	3920	4570	5500	6000	8400	9000
C (mm)	1580	2080	3000	3650	4580	5080	7480	8080
500	19	22	29	34	41	44	62	66
1000	19	22	29	34	41	44	79	84
2000	19	22	29	34	52	93	130	x
3000	19	22	37	43	85	93	130	x
5000	39	47	61	71	85	x	x	x

Weight of Beams (kg)

WLL Rating (kg)

PORTAGANTRY® 500-5000

Dimensions (mm)

	Frame size	DMax Height to lifting eye	E Height increment	DMin Height to lifting eye	F Height to top of beam	HMax Height to top of roller	HMin Height to top of roller	G Width	A-Frame weight (kg) (approx)	Trolley roller size	Castor Diam
500	PGAS00500S	2355	5 x 150	1605	2675	2757	2007	1212	29	82	150
	PGAS00500M	2851	5 x 150	2101	3171	3253	2503	1429	37	82	150
	PGAS00500I	3188	5 x 200	2188	3499	3581	2581	1726	45	82	200
	PGAS00500T	4079	6 x 200	2879	4399	4481	3281	2011	50	82	200
	PGAS00500TC4	4527	6 x 200	3327	4847	4930	3730	2234	77	82	200
	PGAS00500TC3	5027	6 x 200	3827	5347	5430	4230	2557	82	82	200
	PGAS00500TC2	5527	8 x 200	3927	5848	5930	4330	2733	87	82	200
PGAS00500TC1	5829	9 x 200	4029	6149	6231	4431	2733	90	82	200	
1000	PGAS01000S	2355	5 x 150	1605	2675	2757	2007	1212	29	82	150
	PGAS01000M	2851	5 x 150	2101	3171	3253	2503	1429	37	82	150
	PGAS01000I	3188	5 x 200	2188	3499	3581	2581	1726	45	82	200
	PGAS01000T	4079	6 x 200	2879	4399	4481	3281	2011	50	82	200
	PGAS01000TC4	4527	6 x 200	3327	4847	4930	3730	2234	77	82	200
	PGAS01000TC3	5027	6 x 200	3827	5347	5430	4230	2557	82	82	200
	PGAS01000TC2	5527	8 x 200	3927	5848	5930	4330	2733	87	82	200
PGAS01000TC1	5829	9 x 200	4029	6149	6231	4431	2733	90	82	200	
2000	PGAS02000S	2355	5 x 150	1605	2675	2757	2007	1212	32	82	150
	PGAS02000M	2851	5 x 150	2101	3171	3253	2503	1429	37	82	150
	PGAS02000I	3188	5 x 200	2188	3499	3581	2581	1726	45	82	200
	PGAS02000T	4079	6 x 200	2879	4399	4481	3281	2011	50	82	200
	PGAS02000TC4	4527	6 x 200	3327	4847	4930	3730	2234	77	82	200
	PGAS02000TC3	5027	6 x 200	3827	5347	5430	4230	2557	82	82	200
	PGAS02000TC2	5527	8 x 200	3927	5848	5930	4330	2733	87	82	200
PGAS02000TC1	5829	9 x 200	4029	6149	6231	4431	2733	90	82	200	
3000	PGAS03000S	2410	5 x 150	1660	2730	2812	2062	1212	48	82	200
	PGAS03000M	2906	5 x 150	2156	3226	3308	2558	1429	53	82	200
	PGAS03000I	3188	5 x 200	2188	3499	3581	2581	1726	66	82	200
	PGAS03000T	4079	6 x 200	2879	4399	4481	3281	2011	72	82	200
	PGAS03000TC4	4527	6 x 200	3327	4847	4930	3730	2234	77	82	200
	PGAS03000TC3	5027	6 x 200	3827	5347	5430	4230	2557	82	82	200
	PGAS03000TC2	5527	8 x 200	3927	5848	5930	4330	2733	87	82	200
5000	PGAS05000I	3181	5 x 200	2181	3592	3717	2717	1736	88*	125	200
	PGAS05000T	4049	6 x 200	2849	4487	4612	3412	2021	99*	125	200
	PGAS05000TC4	4500	6 x 200	3300	4938	5062	3862	2234	90	125	200
	PGAS05000TC3	5000	6 x 200	3800	5438	5562	4362	2557	95	125	200

S & M versions also available as custom systems | WLL 5000kg dimensions systems are shown using the deeper 'D' section beam

REID Lifting

Unit 1 Wyeview,
Newhouse Farm Ind. Estate
Chepstow, Monmouthshire
NP16 6UD UK

- +44 (0)1291 620 796
- +44 (0)1291 626 490 (Fax)
- enquiries@reidlifting.com
- www.reidlifting.com

All information herein is copyright protected by REID Lifting Ltd. All company and product names are Trade Mark and Trade Name protected and all REID Product IPR is protected under Patents, Patents Pending and/or Design Rights.

 Printed using environment friendly processes and materials.