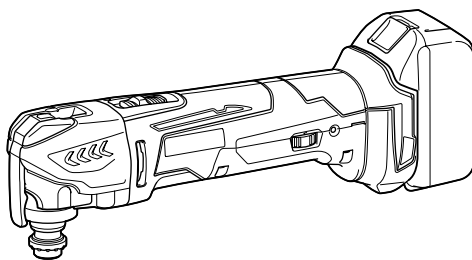
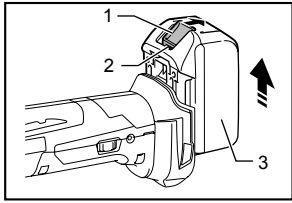




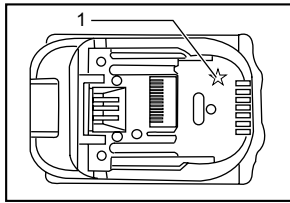
GB	Cordless Multi Tool	INSTRUCTION MANUAL
SI	Brezžično večnamensko orodje	NAVODILO ZA UPORABO
AL	Vegla shumëfunktionale me bateri	MANUALI I PËRDORIMIT
BG	Акумулаторен комбиниран инструмент	РЪКОВОДСТВО ЗА ЕКСПЛОАТАЦИЯ
HR	Baterijski alat	PRIRUČNIK S UPUTAMA
MK	Безжичен мулти-алат	УПАТСТВО ЗА УПОТРЕБА
RO	Mașină multifuncțională fără fir	MANUAL DE INSTRUCȚIUNI
RS	Бежични алат за вишеструку намену	УПУТСТВО ЗА УПОТРЕБУ
RUS	Аккумуляторный Универсальный Резак	РУКОВОДСТВО ПО ЭКСПЛУАТАЦИИ
UA	Акумуляторний універсальний інструмент	ІНСТРУКЦІЯ З ЕКСПЛУАТАЦІЇ

DTM41
DTM51

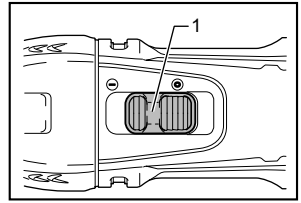




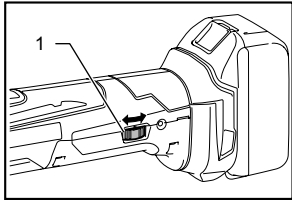
1 014552



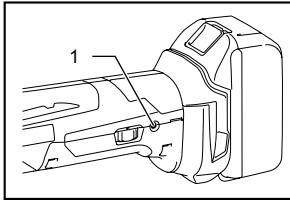
2 012128



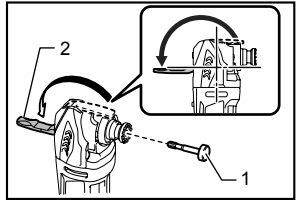
3 014556



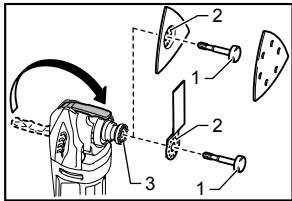
4 014557



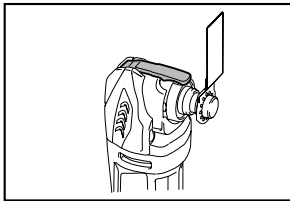
5 014558



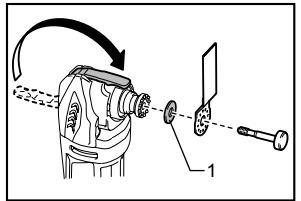
6 014555



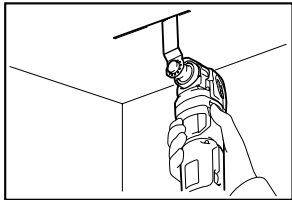
7 014553



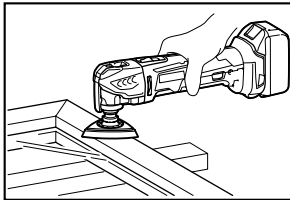
8 014564



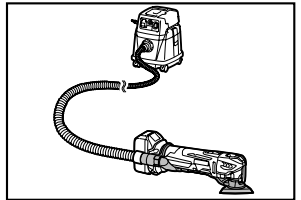
9 014554



10 014559



11 014560



12 014562

ENGLISH (Original instructions)

Explanation of general view

1-1. Button	4-1. Dial	7-2. Holes in the application tool
1-2. Red indicator	5-1. Indication lamp	7-3. Protrusions of the tool flange
1-3. Battery cartridge	6-1. Holder bolt	9-1. Adapter
2-1. Star marking	6-2. Lock lever	
3-1. Slide switch	7-1. Holder bolt	

SPECIFICATIONS

Model		DTM41		DTM51	
Oscillation per minute		6,000 - 20,000 (min ⁻¹)			
Oscillation angle, left/right		1.6 ° (3.2 ° total)			
Standard battery cartridge		BL1430/ BL1440	BL1415 *	BL1830/ BL1840	BL1815 */ BL1815N *
Overall length		340 mm	326 mm	340 mm	326 mm
Net weight	without dust extraction attachment	2.1 kg	2.0 kg	2.2 kg	2.0 kg
	with dust extraction attachment	2.2 kg	2.1 kg	2.3 kg	2.1 kg
Rated voltage		D.C. 14.4 V		D.C. 18 V	

- * NOTE: For continuous operation, high capacity battery cartridge BL1430, BL1440, BL1830 and BL1840 is recommended.
- Due to our continuing program of research and development, the specifications herein are subject to change without notice.
- Specifications and battery cartridge may differ from country to country.
- Weight, with battery cartridge, according to EPTA-Procedure 01/2003

ENE080-1

Intended use

The tool is intended for sawing and cutting wood, plastic, gypsum, non-ferrous metals, and fastening elements (e. g. unhardened nails and staples). It is also intended for working soft wall tiles, as well as dry sanding and scraping of small surfaces. It is especially for working close to edge and flush cutting.

ENG905-1

Noise

The typical A-weighted noise level determined according to EN60745:

Work mode: Sanding

Model DTM41

Sound pressure level (L_{pA}): 76 dB(A)
Uncertainty (K): 3 dB(A)

The noise level under working may exceed 80 dB (A).

Model DTM51

Sound pressure level (L_{pA}): 77 dB(A)
Uncertainty (K): 3 dB(A)

The noise level under working may exceed 80 dB (A).

Work mode: Cutting with plunge cut saw blade

Model DTM41

Sound pressure level (L_{pA}): 80 dB (A)
Sound power level (L_{WA}): 91 dB (A)
Uncertainty (K): 3 dB (A)

Model DTM51

Sound pressure level (L_{pA}): 81 dB (A)
Sound power level (L_{WA}): 92 dB (A)
Uncertainty (K): 3 dB (A)

Work mode: Cutting with segmental saw blade

Model DTM41

Sound pressure level (L_{pA}): 77 dB (A)
Uncertainty (K): 3 dB (A)

The noise level under working may exceed 80 dB (A).

Model DTM51

Sound pressure level (L_{pA}): 76 dB (A)
Uncertainty (K): 3 dB (A)

The noise level under working may exceed 80 dB (A).

Work mode: Scraping

Model DTM41

Sound pressure level (L_{pA}): 78 dB (A)
Uncertainty (K): 3 dB (A)

The noise level under working may exceed 80 dB (A).

Model DTM51

Sound pressure level (L_{pA}): 80 dB (A)
Sound power level (L_{WA}): 91 dB (A)
Uncertainty (K): 3 dB (A)

Wear ear protection

ENG900-1

Vibration

The vibration total value (tri-axial vector sum) determined according to EN60745:

Model DTM41

Work mode : sanding

Vibration emission (a_h) : 3.0 m/s²

Uncertainty (K) : 1.5 m/s²

Model DTM51

Work mode : sanding

Vibration emission (a_h) : 3.0 m/s²

Uncertainty (K) : 1.5 m/s²

Model DTM41

Work mode : cutting with plunge cut saw blade

Vibration emission (a_h) : 7.0 m/s²

Uncertainty (K) : 1.5 m/s²

Model DTM51

Work mode : cutting with plunge cut saw blade

Vibration emission (a_h) : 7.0 m/s²

Uncertainty (K) : 1.5 m/s²

Model DTM41

Work mode : cutting with segment saw blade

Vibration emission (a_h) : 4.5 m/s²

Uncertainty (K) : 1.5 m/s²

Model DTM51

Work mode : cutting with segment saw blade

Vibration emission (a_h) : 4.5 m/s²

Uncertainty (K) : 1.5 m/s²

Model DTM41

Work mode : scraping

Vibration emission (a_h) : 5.0 m/s²

Uncertainty (K) : 1.5 m/s²

Model DTM51

Work mode : scraping

Vibration emission (a_h) : 5.5 m/s²

Uncertainty (K) : 1.5 m/s²

ENG901-1

- The declared vibration emission value has been measured in accordance with the standard test method and may be used for comparing one tool with another.
- The declared vibration emission value may also be used in a preliminary assessment of exposure.

⚠WARNING:

- The vibration emission during actual use of the power tool can differ from the declared emission value depending on the ways in which the tool is used.
- Be sure to identify safety measures to protect the operator that are based on an estimation of exposure in the actual conditions of use (taking account of all parts of the operating cycle such as the times when the tool is switched off and when it is running idle in addition to the trigger time).

ENH101-17

For European countries only

EC Declaration of Conformity

Makita declares that the following Machine(s):

Designation of Machine:

Cordless Multi Tool

Model No./ Type: DTM41, DTM51

Conforms to the following European Directives:

2006/42/EC

They are manufactured in accordance with the following Standard or standardized documents:

EN60745

The Technical file in accordance with 2006/42/EC is available from:

Makita, Jan-Baptist Vinkstraat 2, 3070, Belgium

18.7.2013



000331

Yasushi Fukaya

Director

Makita, Jan-Baptist Vinkstraat 2, 3070, Belgium

GEA010-1

General Power Tool Safety Warnings

⚠ **WARNING** Read all safety warnings and all instructions. Failure to follow the warnings and instructions may result in electric shock, fire and/or serious injury.

Save all warnings and instructions for future reference.

CORDLESS MULTI TOOL

SAFETY WARNINGS

1. This power tool is intended to function for sawing, cutting, grinding and sanding. Read all safety warnings, instructions, illustrations and specifications provided with this power tool. Failure to follow all instructions listed below may result in electric shock, fire and/or serious injury.
2. Hold power tool by insulated gripping surfaces, when performing an operation where the cutting accessory may contact hidden wiring. Cutting accessory contacting a "live" wire may make exposed metal parts of the power tool "live" and could give the operator an electric shock.
3. Use clamps or another practical way to secure and support the workpiece to a stable platform. Holding the work by hand or against your body leaves it unstable and may lead to loss of control.
4. Always use safety glasses or goggles. Ordinary eye or sun glasses are NOT safety glasses.
5. Avoid cutting nails. Inspect workpiece for any nails and remove them before operation.
6. Hold the tool firmly.
7. Make sure the application tool is not contacting the workpiece before the switch is turned on.
8. Keep hands away from moving parts.
9. Do not leave the tool running. Operate the tool only when hand-held.
10. Always switch off and wait for the blade to come to a complete stop before removing the blade from the workpiece.
11. Do not touch the application tool or the workpiece immediately after operation; they may be extremely hot and could burn your skin.
12. Do not operate the tool at no-load unnecessarily.
13. Always use the correct dust mask/respirator for the material and application you are working with.
14. Some material contains chemicals which may be toxic. Take caution to prevent dust inhalation and skin contact. Follow material supplier safety data.
15. This tool has not been waterproofed, so do not use water on the workpiece surface.
16. Ventilate your work area adequately when you perform sanding operations.
17. Use of this tool to sand some products, paints and wood could expose user to dust containing hazardous substances. Use appropriate respiratory protection.
18. Be sure that there are no cracks or breakage on the pad before use. Cracks or breakage may cause a personal injury.
19. Do not use accessories which are not specifically designed and recommended by the tool manufacturer. Just because the accessory can be attached to your power tool, it does not assure safe operation.
20. Wear personal protective equipment. Depending on application, use face shield, safety goggles or safety glasses. As appropriate, wear hearing protectors, gloves and workshop apron capable of stopping small abrasive or workpiece fragments. The eye protection must be capable of stopping flying debris generated by various operations. The dust mask or respirator must be capable of filtering particles generated by your operation. Prolonged exposure to high intensity noise may cause hearing loss.
21. Keep bystanders a safe distance away from work area. Anyone entering the work area must wear personal protective equipment. Fragments of workpiece or of a broken accessory may fly away and cause injury beyond immediate area of operation.
22. Never lay the power tool down until the accessory has come to a complete stop. The spinning accessory may grab the surface and pull the power tool out of your control.
23. Do not run the power tool while carrying it at your side. Accidental contact with the accessory could snag your clothing, pulling the accessory into your body.
24. Do not operate the power tool near flammable materials. Sparks could ignite these materials.
25. Do not use accessories that require liquid coolants. Using water or other liquid coolants may result in electrocution or shock.
26. Always be sure that the tool is switched off and unplugged or that the battery cartridge is removed before carrying out any work on the tool.
27. Always be sure you have a firm footing. Be sure no one is below when using the tool in high locations.

SAVE THESE INSTRUCTIONS.

WARNING:

DO NOT let comfort or familiarity with product (gained from repeated use) replace strict adherence to safety rules for the subject product. MISUSE or failure to follow the safety rules stated in this instruction manual may cause serious personal injury.

IMPORTANT SAFETY INSTRUCTIONS

FOR BATTERY CARTRIDGE

- Before using battery cartridge, read all instructions and cautionary markings on (1) battery charger, (2) battery, and (3) product using battery.
- Do not disassemble battery cartridge.
- If operating time has become excessively shorter, stop operating immediately. It may result in a risk of overheating, possible burns and even an explosion.
- If electrolyte gets into your eyes, rinse them out with clear water and seek medical attention right away. It may result in loss of your eyesight.
- Do not short the battery cartridge:
 - Do not touch the terminals with any conductive material.
 - Avoid storing battery cartridge in a container with other metal objects such as nails, coins, etc.
 - Do not expose battery cartridge to water or rain.

A battery short can cause a large current flow, overheating, possible burns and even a breakdown.
- Do not store the tool and battery cartridge in locations where the temperature may reach or exceed 50 ° C (122 ° F).
- Do not incinerate the battery cartridge even if it is severely damaged or is completely worn out. The battery cartridge can explode in a fire.
- Be careful not to drop or strike battery.
- Do not use a damaged battery.
- Follow your local regulations relating to disposal of battery.

SAVE THESE INSTRUCTIONS.

Tips for maintaining maximum battery life

- Charge the battery cartridge before completely discharged.
Always stop tool operation and charge the battery cartridge when you notice less tool power.
- Never recharge a fully charged battery cartridge. Overcharging shortens the battery service life.
- Charge the battery cartridge with room temperature at 10 ° C - 40 ° C (50 ° F - 104 ° F). Let a hot battery cartridge cool down before charging it.
- Charge the battery cartridge once in every six months if you do not use it for a long period of time.

FUNCTIONAL DESCRIPTION

⚠WARNING:

- Always be sure that the tool is switched off and battery cartridge is removed before adjusting or checking function on the tool. Failure to switch off and remove the battery cartridge may result in serious personal injury from accidental start-up.

Installing or removing battery cartridge

Fig.1

⚠CAUTION:

- Always switch off the tool before installing or removing of the battery cartridge.
- Hold the tool and the battery cartridge firmly when installing or removing battery cartridge.** Failure to hold the tool and the battery cartridge firmly may cause them to slip off your hands and result in damage to the tool and battery cartridge and a personal injury.

To remove the battery cartridge, slide it from the tool while sliding the button on the front of the cartridge.

To install the battery cartridge, align the tongue on the battery cartridge with the groove in the housing and slip it into place. Insert it all the way until it locks in place with a little click. If you can see the red indicator on the upper side of the button, it is not locked completely.

⚠CAUTION:

- Always install the battery cartridge fully until the red indicator cannot be seen. If not, it may accidentally fall out of the tool, causing injury to you or someone around you.
- Do not install the battery cartridge forcibly. If the cartridge does not slide in easily, it is not being inserted correctly.

Battery protection system (Lithium-ion battery with star marking)

Fig.2

Lithium-ion batteries with a star marking are equipped with a protection system. This system automatically cuts off power to the tool to extend battery life.

The tool will automatically stop during operation if the tool and/or battery are placed under one of the following conditions:

- Overloaded:
The tool is operated in a manner that causes it to draw an abnormally high current. In this situation, slide the slide switch on the tool toward the "O (OFF)" position and stop the application that caused the tool to become overloaded. Then slide the slide switch toward the "I (ON)" position again to restart.

If the tool does not start, the battery is overheated. In this situation, let the battery cool before sliding the slide switch toward the "I (ON)" position again.

- Low battery voltage:
The remaining battery capacity is too low and the tool will not operate. In this situation, remove and recharge the battery.

Overheat protection

When the tool is overloaded and the tool temperature reaches a certain level, the tool automatically stops. In this situation, let the tool cool before turning on the tool again.

Switch action

Fig.3

⚠CAUTION:

- Before installing the battery cartridge into the tool, always check to see that the tool is switched off.

To start the tool, slide the slide switch toward the "I (ON)" position.

To stop the tool, slide the slide switch toward the "O (OFF)" position.

Adjusting the orbital stroke rate

Fig.4

The orbital stroke rate is adjustable. To change the orbital stroke rate, turn the dial between 1 and 6. The higher the number is, the higher the orbital stroke rate is. Preset the dial to the number suitable for your workpiece.

NOTE:

- The dial cannot be turned directly from 1 to 6 or from 6 to 1. Forcing the dial may damage the tool. When changing the dial direction, always turn the dial moving it through each intermediate number.

Indication lamp

Fig.5

- When the remaining battery capacity gets low, the indication lamp blinks.
- When the remaining battery capacity gets much lower, the tool stops during operation and the indication lamp lights up about 10 seconds.

At this time, remove the battery cartridge from the tool and charge it.

ASSEMBLY

⚠CAUTION:

- Always be sure that the tool is switched off and the battery cartridge is removed before carrying out any work on the tool.

Installing or removing application tool (optional accessory)

⚠WARNING:

- Do not install application tool upside down. Installing application tool upside down may damage the tool and cause serious personal injury.
- Install attachment tool in the correct direction according to your work. Application tool can be installed at an angle of every 30 degree.

⚠CAUTION:

- Be careful when closing the lock lever. The lock lever may close suddenly and pinch your finger.
 - Clean up dust and perform lubrication on the moving part of the lock lever from time to time. Otherwise dust may accumulate in the moving part of the lock lever and hinder its smooth movement.
 - Do not start the tool while the lever opens. The tool may be damaged.
1. Open the lock lever fully. And remove the holder bolt.

Fig.6

2. Put an application tool (optional accessory) on the tool flange so that the protrusions of the tool flange fit in the holes in the application tool.

Fig.7

3. Insert the holder bolt till it stops. And then, return the lock lever to its original position.

Fig.8

When using sanding application tool, mount the application tool on the sanding pad so that it matches the sanding pad direction.

The sanding pad has a hook and loop type fitting system which allows easy and rapid fitting of a sanding paper.

As sanding papers have holes for dust extraction, mount a sanding paper so that the holes in a sanding paper match those in the sanding pad.

To remove a sanding paper, raise its end and peel it off.

To remove the holder bolt, follow the installation procedures in reverse.

Fig.9

When using application tools with a different type of installation section, use a correct adapter (optional accessory).

OPERATION

⚠WARNING:

- Before starting the tool and during operation, keep your hand and face away from the application tool.

⚠CAUTION:

- Do not apply excessive load to the tool which may cause a motor lock and stop the tool.

Cutting, sawing and scraping

⚠CAUTION:

- Do not move on the tool forcibly in the direction (eg. towards either side) of tool application with no cutting edge. It may damage the tool.

Fig.10

Put the application tool on the workpiece. And then move the tool forward so that the application tool movement does not slow down.

NOTE:

- Forcing or excessive pressure on the tool may reduce efficiency.
- Before cutting operation, it is recommended to preset the orbital stroke rate 4 - 6.
- Remove sawdust by drawing the tool adequately. It increases work efficiency.
- The round saw is recommended for cutting long straight line.

Sanding

⚠CAUTION:

- Do not reuse a sanding paper used for sanding metal to sand wood.
- Do not use a worn sanding paper or sanding paper without grit.

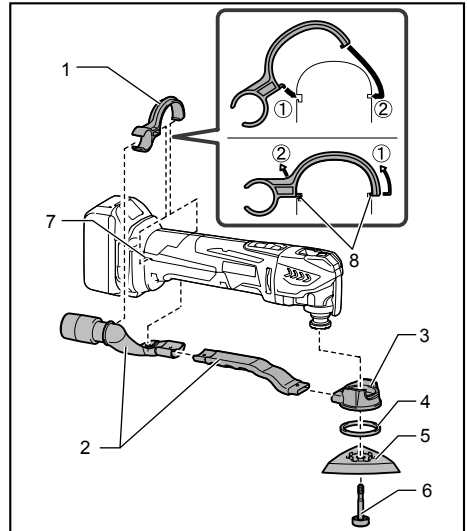
Fig.11

Apply a sanding paper on the workpiece.

NOTE:

- Using a test material sample to try is recommendable to determine a correct orbital stroke rate suitable for your work.
- Use a sanding paper with the same grit until sanding the whole workpiece is completed. Replacing a sanding paper with different grit sanding paper may not get a fine finish.

Dust extraction attachment (optional accessory)



1. Nozzle band
2. Dust nozzle
3. Dust attachment
4. Felt ring
5. Pad
6. Holder bolt
7. Holes in the tool
8. Protrusions on the nozzle band

014561

- Install dust nozzles and dust attachment.
- Install the nozzle band on the tool so that its protrusions fit in the holes in the tool to secure it.
- Put the felt ring and the sanding pad on the dust attachment and then secure them with the application tool installation bolt.

Fig.12

When you wish to perform cleaner operation, connect a vacuum cleaner to your tool. Connect a hose of vacuum cleaner to the dust extraction attachment (optional accessory).

MAINTENANCE

⚠CAUTION:

- Always be sure that the tool is switched off and the battery cartridge is removed before attempting to perform inspection or maintenance.
- Never use gasoline, benzine, thinner, alcohol or the like. Discoloration, deformation or cracks may result.

To maintain product SAFETY and RELIABILITY, repairs, carbon brush inspection and replacement, any other maintenance or adjustment should be performed by Makita Authorized Service Centers, always using Makita replacement parts.

OPTIONAL ACCESSORIES

CAUTION:

- These accessories or attachments are recommended for use with your Makita tool specified in this manual. The use of any other accessories or attachments might present a risk of injury to persons. Only use accessory or attachment for its stated purpose.

If you need any assistance for more details regarding these accessories, ask your local Makita Service Center.

- Segment saw blade
- Round saw blade
- Plunge cut saw blade
- Scraper (rigid)
- Scraper (flexible)
- Serrated seg blade
- General joint cutter
- HM remover
- HM seg saw blade
- HM sanding plate
- Diamond seg sawblade
- Sanding pad
- Adapter
- Abrasive paper delta (red / white / black)
- Fleece delta (medium / coarse / without grit)
- Polishing felt delta
- Hex wrench
- Dust extraction attachment
- Makita genuine battery and charger

NOTE:

- Some items in the list may be included in the tool package as standard accessories. They may differ from country to country.

Razlaga splošnega pogleda

1-1. Gumb	4-1. Številčnica	7-2. Luknje v orodju
1-2. Rdeči indikator	5-1. Kontrolna lučka	7-3. Izbokline na prirobnici orodja
1-3. Baterijski vložek	6-1. Pritrdilni vijak	9-1. Priključek
2-1. Oznaka z zvezdico	6-2. Zaklepna ročica	
3-1. Drсно stikalo	7-1. Pritrdilni vijak	

TEHNIČNI PODATKI

Model		DTM41		DTM51	
Nihaji na minuto		6.000 - 20.000 (min ⁻¹)			
Nihalni kot, levo/desno		1,6 ° (3,2 ° skupno)			
Standardna akumulatorska baterija		BL1430/ BL1440	BL1415 *	BL1830/ BL1840	BL1815 */ BL1815N *
Celotna dolžina		340 mm	326 mm	340 mm	326 mm
Neto teža	brez priključka za odstranjevanje prahu	2,1 kg	2,0 kg	2,2 kg	2,0 kg
	s priključkom za odstranjevanje prahu	2,2 kg	2,1 kg	2,3 kg	2,1 kg
Nazivna napetost		D.C. 14,4 V		D.C. 18 V	

- * OPOMBA: Za neprekinjeno delovanje priporočamo visoko zmogljivo akumulatorsko baterijo BL1430, BL1440, BL1830 in BL1840.
- Zaradi našega nenehnega programa raziskav in razvoja si pridržujemo pravico do spremembe tehničnih podatkov brez obvestila.
- Tehnični podatki in baterijski vložki se lahko razlikujejo od države do države.
- Teža z baterijskim vložkom je v skladu z EPTA-postopkom 01/2003

ENE080-1

Namen uporabe

Orodje je namenjeno za žaganje in rezanje lesa, plastike, mavca, neželeznih kovin in pritrdilnih elementov (npr. nekaljenih žebeljev in sponk). Prav tako je namenjeno za obdelavo mehkih stenskih ploščic ter suho brušenje in strganje manjših površin. Posebej je namenjeno za delo v bližini robov in rezanje s splakovanjem.

ENG905-1

Hrup

Tipični, z A ocenjeni vrednosti hrupa glede na EN60745:

Delovni način: Brušenje

Model DTM41

Raven zvočnega tlaka (L_{pA}): 76 dB (A)

Odstopanje (K): 3 dB (A)

Nivo hrupa med delom lahko preseže 80 dB (A).

Model DTM51

Raven zvočnega tlaka (L_{pA}): 77 dB (A)

Odstopanje (K): 3 dB (A)

Nivo hrupa med delom lahko preseže 80 dB (A).

Delovni način: Rezanje z rezilom pogrezne krožne žage

Model DTM41

Raven zvočnega tlaka (L_{pA}): 80 dB (A)

Raven zvočne moči (L_{WA}): 91 dB (A)

Odstopanje (K): 3 dB (A)

Model DTM51

Raven zvočnega tlaka (L_{pA}): 81 dB (A)

Raven zvočne moči (L_{WA}): 92 dB (A)

Odstopanje (K): 3 dB (A)

Delovni način: Rezanje z rezilom segmentne krožne žage

Model DTM41

Raven zvočnega tlaka (L_{pA}): 77 dB (A)

Odstopanje (K): 3 dB (A)

Nivo hrupa med delom lahko preseže 80 dB (A).

Model DTM51

Raven zvočnega tlaka (L_{pA}): 76 dB (A)

Odstopanje (K): 3 dB (A)

Nivo hrupa med delom lahko preseže 80 dB (A).

Delovni način: Strganje

Model DTM41

Raven zvočnega tlaka (L_{pA}): 78 dB (A)

Odstopanje (K): 3 dB (A)

Nivo hrupa med delom lahko preseže 80 dB (A).

Model DTM51

Raven zvočnega tlaka (L_{pA}): 80 dB (A)

Raven zvočne moči (L_{WA}): 91 dB (A)

Odstopanje (K): 3 dB (A)

Uporabljajte zaščito za sluh

ENG901-1

ENG900-1

Vibracije

Skupne vrednosti vibracij (vektorska vsota treh osi) po EN60745:

Model DTM41

Delovni način: brušenje
Oddajanje tresljajev (a_h): $3,0 \text{ m/s}^2$
Odstopanje (K): $1,5 \text{ m/s}^2$

Model DTM51

Delovni način: brušenje
Oddajanje tresljajev (a_h): $3,0 \text{ m/s}^2$
Odstopanje (K): $1,5 \text{ m/s}^2$

Model DTM41

Delovni način: rezanje z rezilom pogrezne krožne žage
Oddajanje tresljajev (a_h): $7,0 \text{ m/s}^2$
Odstopanje (K): $1,5 \text{ m/s}^2$

Model DTM51

Delovni način: rezanje z rezilom pogrezne krožne žage
Oddajanje tresljajev (a_h): $7,0 \text{ m/s}^2$
Odstopanje (K): $1,5 \text{ m/s}^2$

Model DTM41

Delovni način: rezanje z rezilom segmentne krožne žage
Oddajanje tresljajev (a_h): $4,5 \text{ m/s}^2$
Odstopanje (K): $1,5 \text{ m/s}^2$

Model DTM51

Delovni način: rezanje z rezilom segmentne krožne žage
Oddajanje tresljajev (a_h): $4,5 \text{ m/s}^2$
Odstopanje (K): $1,5 \text{ m/s}^2$

Model DTM41

Delovni način: strganje
Oddajanje tresljajev (a_h): $5,0 \text{ m/s}^2$
Odstopanje (K): $1,5 \text{ m/s}^2$

Model DTM51

Delovni način: strganje
Oddajanje tresljajev (a_h): $5,5 \text{ m/s}^2$
Odstopanje (K): $1,5 \text{ m/s}^2$

- Navedena vrednost oddajanja vibracij je bila izmerjena v skladu s standardnimi metodami testiranja in se lahko uporablja za primerjavo orodij.
- Navedena vrednost oddajanja vibracij se lahko uporablja tudi pri predhodni oceni izpostavljenosti.

⚠ OPOZORILO:

- Oddajanje vibracij med dejansko uporabo električnega orodja se lahko razlikuje od navedene vrednosti oddajanja, odvisno od načina uporabe orodja.
- Upravljevec mora za lastno zaščito poznati varnostne ukrepe, ki temeljijo na oceni izpostavljenosti v dejanskih pogojih uporabe (upoštevajoč celoten delovni proces v trenutkih, ko je orodje izključeno in ko deluje v prostem teku z dodatkom časa sprožitve).

ENH101-17

Samo za evropske države

ES Izjava o skladnosti

Družba Makita izjavlja, da je/so naslednji stroj/-i:

Oznaka stroja:

Brezžično večnamensko orodje

Model št./vrsta: DTM41, DTM51

Je skladen z naslednjimi evropskimi direktivami:

2006/42/ES

Izdelan v skladu z naslednjim standardom ali standardiziranimi dokumenti:

EN60745

Tehnična dokumentacija v skladu z direktivo 2006/42/ES je na voljo na:

Makita, Jan-Baptist Vinkstraat 2, 3070, Belgija

18.7.2013



000331

Yasushi Fukaya

Direktor

Makita, Jan-Baptist Vinkstraat 2, 3070, Belgija

GEA010-1

Splošna varnostna opozorila za električno orodje

⚠ **OPOZORILO** Preberite vsa varnostna opozorila in navodila. Neupoštevanje opozoril in navodil lahko vodi do električnega udara, požara, in/ali hudih telesnih poškodb.

Shranite vsa opozorila in navodila za kasnejšo uporabo.

BREŽIČNO VEČNAMENSKO ORODJE VARNOSTNA OPOZORILA

1. To električno orodje je namenjeno za žaganje, rezanje, brušenje in peskanje. Preberite vsa varnostna opozorila in navodila s slikami in tehničnimi podatki, ki so dobavljeni skupaj z električnim orodjem. Ob neupoštevanju spodaj navedenih navodil obstaja nevarnost električnega udara, požara in/ali hudih telesnih poškodb.
2. Če obstaja nevarnost, da bi z rezilnim orodjem prerezali skrito električno napeljavo, držite električno orodje na izoliranih držalnih površinah. Ob stiku z vodniki pod napetostjo dobijo napetost vsi neizolirani kovinski deli električnega orodja, zaradi česar lahko pride do električnega udara.
3. Uporabljajte sponke ali druge praktične načine za pritrditve in podporo obdelovanca na stabilno podlago. Če držite obdelovanca z roko ali ga naslanjate na telo, je nestabilen in lahko povzroči izgubo nadzora.
4. Vedno uporabljajte zaščitna očala. Navadna ali sončna očala NISO zaščitna očala.
5. Izogibajte se rezanju žebeljev. Preglejte obdelovanca, če so v njem želbli, in jih pred delom odstranite.
6. Trdno držite orodje.
7. Preden vklopite stikalo, zagotovite, da se uporabljeno orodje ne dotika obdelovanca.
8. Ne približujte rok premikajočim se delom.
9. Orodja ne pustite delovati brez nadzora. Dovoljeno ga je uporabljati samo ročno.
10. Orodje vedno izključite in počakajte, da se rezilo popolnoma ustavi, preden ga odstranite iz obdelovanca.
11. Takoj po končani obdelavi se ne dotikajte uporabljenega orodja ali obdelovanca; lahko sta zelo vroča in povzročita opekline kože.
12. Ne uporabljajte orodja brez obremenitve po nepotrebnem.
13. Vedno uporabite pravilno protiprašno masko/respirator za material in uporabo.
14. Nekateri materiali vsebujejo kemikalije, ki so lahko strupene. Bodite previdni in preprečite vdihavanje prahu in stik s kožo. Upošteвайте varnostne podatke dobavitelja materiala.
15. Za to orodje ni bila preverjena vodotesnost, zato ne uporabljajte vode na površini obdelovanca.
16. Med izvajanjem brušenja dobro prezračite svoj delovni prostor.
17. Uporaba tega orodja za brušenje nekaterih izdelkov, barv in lesa lahko izpostavi uporabnika prahu, ki vsebuje nevarne snovi. Uporabljajte ustrezno zaščito dihal.
18. Pred uporabo se prepričajte, ali ni razpok ali zlomljenih delov na blazinici. Razpoke ali zlomljeni deli lahko povzročijo telesne poškodbe.
19. Poslužujte se samo nastavkov, ki so natančno določeni in predpisani s strani proizvajalca. Četudi je možno na vaš kotni rezalnik priključiti različne nastavke, ti še ne zagotavljajo varnega izvajanja zelenih opravil.
20. Uporabljajte osebna zaščitna sredstva. Odvisno od dela, ki ga opravljate, uporabljajte zaščitno masko za obraz in oči ali zaščitna očala. Če je potrebno, uporabljajte glušnike, rokavice ali predpasnik za zaščito pred drobc materiala. Zaščita za oči mora zadržati leteče drobce, ki so prisotni pri različnih načinih dela. Protiprašna maska ali maska za zaščito dihal mora zadržati prah, ki nastaja med delom. Izpostavljanje hrupu lahko povzroči izgubo sluha.
21. Pri delu poskrbite, da bodo druge osebe varno oddaljene od delovnega območja. V delovno območje naj vstopajo samo osebe z ustrežno osebno zaščitno opremo. Leteči drobci materiala obdelovanca ali počenega nastavka so nevarni in lahko povzročijo poškodbe tudi izven delovnega območja.
22. Ne odlagajte električnega orodja iz rok, dokler se nameščeni pribor ne neha vrteti. Nastavek, ki se še vedno vrti, lahko pride v stik z odlagalno površino in povzroči izgubo nadzora nad električnim orodjem.
23. Ne puščajte električnega orodja vključenega brez nadzora. Pribor lahko nepričakovano zagrabi vašo obleko in vas poškoduje.
24. Ne uporabljajte električnega orodja v bližini gorljivih snovi. Gorljive snovi se lahko vnamejo zaradi iskrenja.
25. Ne uporabljajte pribora, ki je predviden za uporabo s tekočim hladilnim sredstvom. Uporaba vode ali drugih tekočin za hlajenje lahko povzroči električni udar.
26. Pred začetkom dela ali izvajanjem drugih opravil na orodju poskrbite, da je orodje vedno izklopljeno in izključeno iz električnega omrežja oziroma da v njem ni baterijskega vložka.
27. Vedno zagotovite trdno stojišče. Kadar uporabljate orodje na višini, se prepričajte, da spodaj ni nikogar.

SHRANITE TA NAVODILA.

⚠️ OPOZORILO:

NE dopustite si, da bi zaradi udobnejšega dela ali poznavanja izdelka (pridobljenega z večkratno uporabo) opustili striktno upoštevanje varnostnih pravil pri uporabi stroja. ZLORABA ali neupoštevanje varnostnih pravil v teh navodilih za uporabo lahko povzroči hude telesne poškodbe.

POMEMBNA VARNOSTNA NAVODILA

ZA BATERIJSKE VLOŽKE

1. Pred uporabo baterijskega vložka preberite vsa navodila in opozorilne oznake na (1) polnilniku akumulatorja, (2) akumulatorju in (3) izdelku, ki uporablja akumulator.
2. Ne razstavljajte baterijskega vložka.
3. Če se je čas delovanja občutno skrajšal, takoj prekinite z uporabo. V nasprotnem primeru je lahko rezultat pregretje, morebitne opekline in celo eksplozija.
4. Če pride elektrolit v oči, jih sperite s čisto vodo in takoj poiščite zdravniško pomoč. Posledica je lahko izguba vida.
5. Ne povzročite kratkega stika baterijskega vložka:
 - (1) Ne dotikajte se priključkov s kakršnim koli prevodnim materialom.
 - (2) Izogibajte se shranjevanju baterijskega vložka v posodo z drugimi kovinskimi predmeti kot so žebliji, kovanci itn.
 - (3) Ne izpostavljajte baterijskega vložka vodi ali dežju.

Kratek stik akumulatorja lahko povzroči velik tok, pregretje, morebitne opekline in celo eksplozijo.
6. Ne shranjujte orodja in baterijskega vložka na lokacijah, kjer lahko temperatura doseže ali preseže 50 ° C (122 ° F).
7. Ne sežigajte baterijskega vložka, tudi če je hudo poškodovan ali v celoti izpraznjen. Baterijski vložek lahko v ognju eksplodira.
8. Bodite previdni, da vam akumulator ne pade in ga ne udarjate.
9. Ne uporabljajte poškodovanih akumulatorjev.
10. Upošteвайте lokalne uredbe glede odlaganja akumulatorja.

SHRANITE TA NAVODILA.

Nasveti za maksimalno življenjsko dobo akumulatorja

1. Napolnite baterijski vložek preden se v celoti izprazni.
Ko opazite, da ima orodje manjšo moč, vedno ustavite delovanje orodja in napolnite baterijski vložek.
2. Nikoli znova ne polnite popolnoma napolnjenega baterijskega vložka.
Prenapolnjenje skrajša življenjsko dobo akumulatorja.
3. Napolnite baterijski vložek pri sobni temperaturi med 10 ° C in 40 ° C (50 ° F - 104 ° F). Počakajte, da se vroč baterijski vložek pred polnjenjem ohladi.
4. Napolnite baterijski vložek enkrat vsakih šest mesecev, če ga ne uporabljate dlje časa.

OPIS DELOVANJA

⚠ OPOZORILO:

- Pred nastavljanjem ali preizkusom delovanja orodja se prepričajte, ali je orodje izključeno in ali je akumulatorska baterija odstranjena. Če ne izključite in snamete akumulatorsko baterijo, lahko pride do hudih telesnih poškodb zaradi nenamerne zagona.

Nameščanje ali odstranjevanje akumulatorske baterije

SI.1

⚠ POZOR:

- Vedno izklopite orodje, preden namestite ali odstranite akumulatorsko baterijo.
- **Kadar nameščate ali odstranjujete akumulatorsko baterijo, trdno držite orodje in akumulatorsko baterijo.** Če orodja in akumulatorske baterije ne držite trdno, se lahko zgodi, da vam zdrsneta iz rok, posledica pa je poškodba orodja in akumulatorske baterije ter telesna poškodba.

Za odstranitev akumulatorske baterije iz orodja jo premaknite iz orodja, ob tem pa premaknite gumb na sprednji strani akumulatorske baterije.

Pri vstavljanju akumulatorske baterije poravnajte jeziček na akumulatorski bateriji z utorom na ohišju in ga potisnite v ležišče. Akumulatorsko baterijo vstavite do konca, da se razločno zaskoči. Če vidite rdeči indikator na zgornji strani gumba, ta ni popolnoma zaklenjen.

⚠ POZOR:

- Vedno namestite akumulatorsko baterijo, tako da rdeči indikator ni več viden. Če tega ne upoštevate, lahko akumulator nepričakovano izpade iz orodja in poškoduje vas ali osebe v neposredni bližini.
- Ne nameščajte akumulatorske baterije s silo. Če se akumulatorska baterija ne zaskoči zlahka, ni pravilno vstavljena.

Sistem za zaščito akumulatorja (litij-ionske akumulatorji z zvezdico)

SI.2

Litij-ionske akumulatorji so opremljene z zaščitnim sistemom. Ta sistem samodejno izklopi dovajanje električne energije v orodje, da bi podaljšal življenjsko dobo baterije.

Orodje se bo samodejno zaustavilo med delovanjem, če sta orodje in/ali baterija zamenjana pod naslednjimi pogoji:

- Preobremenjeno:
Orodje deluje na način, ki povzroča, da povleče nenormalno visok tok.
V takem primeru prestavite drsno stikalo na orodju proti položaju „O (IZKLOP)“ in ga prenehajte uporabljati na način, zaradi

kategora je prišlo do preobremenitve. Nato premaknite drsno stikalo znova proti položaju „I (VKLOP)“, da ga znova zaženete.

Če se orodje ne zažene, je akumulator pregret. V tej situaciji počakajte, da se akumulator ohladi preden znova premaknete drsno stikalo proti položaju „I (VKLOP)“.

- Nizka napetost akumulatorja:
Preostala zmogljivost akumulatorja je prenizka in orodje ne bo delovalo. V tem primeru odstranite in napolnite akumulator.

Zaščita pred pregrevanjem

Če je orodje preobremenjeno in temperatura orodja doseže določen nivo, se orodje samodejno ustavi. V tem primeru počakajte, da se orodje ohladi, preden znova vklopite orodje.

Delovanje stikala

SI.3

⚠POZOR:

- Preden namestite akumulatorsko baterijo v orodje se vedno prepričajte, ali je orodje izklopljeno.

Za zagon orodja premaknite drsno stikalo v položaj „I (VKLOP)“.

Za izklop orodja premaknite drsno stikalo v položaj „O (IZKLOP)“.

Nastavitev števila nihajev

SI.4

Število nihajev je mogoče nastaviti. Za spremembo števila nihajev, zavrtite številčnico med 1 in 6. Večja kot je številka, višje je število nihajev. Prednastavite številčnico na številko, ki je primerna za obdelovanca.

OPOMBA:

- Številčnice ni možno zavrteti neposredno z 1 na 6 ali s 6 na 1. Z uporabo sile na številčnici lahko orodje poškodujete. Kadar spreminjate smer vrtenja številčnice, jo vedno zavrtite tako, da se pomaknete po vseh številkah.

Opozorilna lučka

SI.5

- Ko je preostala zmogljivost akumulatorja nizka, utripa opozorilna lučka.
- Ko je preostala zmogljivost akumulatorja še nižja, se orodje ustavi med delovanjem in opozorilna lučka zasveti za približno 10 sekund.

V tem primeru odstranite akumulatorsko baterijo iz orodja in jo napolnite.

MONTAŽA

⚠POZOR:

- Pred vsako izvedbo dela na orodju se prepričajte, da je le to izključeno in da je akumulatorska baterija odstranjena.

Nameščanje ali odstranjevanje orodja (dodatni pribor)

⚠OPOZORILO:

- Ne nameščajte orodja obrnjeno navzdol. Nameščanje orodja obrnjeno navzdol lahko poškoduje orodje in povzroči hude telesne poškodbe.
- Namestite priključno orodje v pravilni smeri glede na vaše delo. Orodje lahko namestite pod nakloni po 30 stopinj.

⚠POZOR:

- Pazite, ko zapirate zaklepno ročico. Zaklepna ročica se lahko nenadoma zapre in vam prišči pne prst.
 - Občasno očistite prah in namažite premični del zaklepne ročice. Sicer se prah lahko nabere na premičnem delu zaklepne ročice in preprečuje njeno gladko premikanje.
 - Ne zaganjajte orodja, medtem ko se ročica odpira. Orodje se lahko poškoduje.
1. V celoti odprite zaklepno ročico. Nato pa odstranite pritrdilni vijak.

SI.6

2. Postavite orodje (dodatni pribor) na prirobnico orodja, tako da se izbokline na prirobnici orodja prilegajo v luknje v orodju.

SI.7

3. Vstavite pritrdilni vijak do omejila. Nato pa vrnite zaklepno ročico v prvotni položaj.

SI.8

Kadar uporabljate orodje za brušenje, namestite orodje na brusno blazinico, tako da se ujema s smerjo brusne blazinice.

Brusna blazinica ima sistem nameščanja tipa kavelj in zanka, ki omogoča enostavno in hitro nameščanje brusnega papirja.

Ker imajo brusni papirji luknje za izhod prahu, namestite brusni papir tako, da se luknje v brusnem papirju ujemajo z luknjami na brusni blazinici.

Če želite brusni papir odstraniti, ga dvignite ob robu in ga snemite.

Za odstranjevanje pritrdilnega vijaka sledite postopku nameščanja v obratnem vrstnem redu.

SI.9

Kadar uporabljate orodja z drugačnim delom za nameščanje, uporabite pravilni nastavek (dodatni pribor).

DELOVANJE

⚠️ OPOZORILO:

- Pred zagonom orodja in med uporabo ne približujte roke in obraza orodju.

⚠️ POZOR:

- Orodja ne obremenjujte čezmerno, saj lahko to povzroči zastoj motorja in ustavitve orodja.

Rezanje, žaganje in strganje

⚠️ POZOR:

- Orodja ne premikajte s silo v smeri (npr. proti kateri koli strani) uporabe orodja brez rezalnega roba. Orodje se lahko poškoduje.

SI.10

Položite orodje na obdelovanca.

Nato premaknite orodje naprej, tako da se njegovo premikanje ne upočasni.

OPOMBA:

- Uporaba sile ali čezmernega pritiska na orodje lahko zmanjša učinkovitost orodja.
- Pred rezanjem je priporočljivo, da nastavite število nihajev na 4 - 6.
- Odstranite žagovino z izpihovanjem orodja. S tem boste povečali delovno učinkovitost.
- Krožna žaga je priporočljiva za rezanje dolge ravne linije.

Brušenje

⚠️ POZOR:

- Za brušenje lesa ne uporabite brusnega papirja, ki ste ga predhodno uporabili za brušenje kovine.
- Ne uporabljajte obrabljenega brusnega papirja ali papirja brez granulacije.

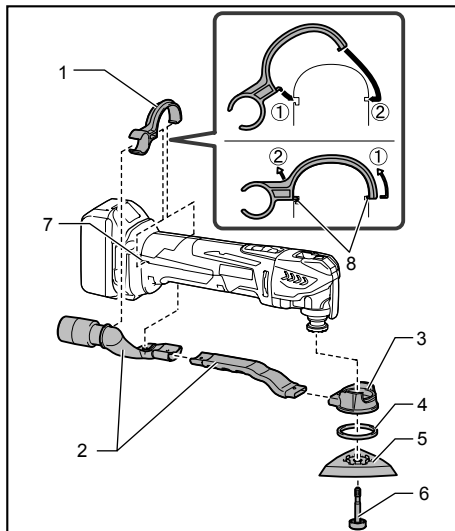
SI.11

Nastavite brusni papir na obdelovanca.

OPOMBA:

- Priporočljiva je uporaba testnega vzorca materiala, da ugotovite pravilno število nihajev, primerno za vaše delo.
- Dokler ne zbrusite celega obdelovanca, uporabljajte brusni papir z enako granulacijo. Pri zamenjavi brusnega papirja s papirjem z drugačno granulacijo morda ne boste dobili enakomernega rezultata.

Priključek za odstranjevanje prahu (dodatni pribor)



1. Trak s šobami
2. Sesalna šoba
3. Protiprašni priključek
4. Obroč iz klobučevine
5. Podloga
6. Pritrdilni vijak
7. Luknje v orodju
8. Izbokline na traku s šobami

014561

- Namestite sesalne šobe in protiprašni priključek.
- Na orodje namestite trak s šobami, tako se njegove izbokline prilegajo v luknje v orodju, in ga pritrdite.
- Namestite obroč iz klobučevine in brusno blazinico na protiprašni priključek in ju pritrdite z namestitvenim vijakom orodja.

SI.12

Če želite čistejšo opravilo, na orodje priključite sesalnik za prah. Priključite gibko cev sesalnika za prah na priključek za odstranjevanje prahu (dodatni pribor).

VZDRŽEVANJE

⚠️ POZOR:

- Preden se lotite pregledovanja ali vzdrževanja orodja, se vedno prepričajte, da je orodje izklopljeno in akumulatorska baterija odstranjena.
- Nikoli ne uporabljajte bencina, razredčila, alkohola ali podobnega. V tem primeru se orodje lahko razbarva, deformira, lahko pa tudi nastanejo razpoke.

VARNO in ZANESLJIVO delovanje tega izdelka bo zagotovljeno le, če boste popravila, vzdrževanje in nastavitve oglenih krtačk ali druge nastavitve prepustili pooblaščenemu servisu za orodja Makita, ki vgrajuje izključno originalne nadomestne dele.

DODATNI PRIBOR

POZOR:

- Ta dodatni pribor ali pripomočki so predvideni za uporabo z orodjem Makita, ki je opisano v teh navodilih za uporabo. Pri uporabi drugega pribora ali pripomočkov obstaja nevarnost telesnih poškodb. Dodatni pribor ali pripomočke uporabljajte samo za navedeni namen.

Za več informacij o dodatnem priboru in opremi se obrnite na najbližji pooblaščen Makita servis.

- Rezilo segmentne krožne žage
- Rezilo krožne žage
- Rezilo pogrezne krožne žage
- Strgalo (togo)
- Strgalo (fleksibilno)
- Nazobčani del rezila
- Rezalnik splošnih spojev
- TK odstranjevalnik
- TK rezilo segmentne krožne žage
- TK brusna plošča
- Rezilo diamantnega dela žage
- Brusna blazinica
- Priključek
- Deltasti abrazivni papir (rdeč/bel/črn)
- Deltasti flis (srednji/grob/brez granulacije)
- Polirna deltasta klobučevina
- Imbus ključ
- Priključek za odstranjevanje prahu
- Originalna akumulator in polnilnik Makita

OPOMBA:

- Nekateri predmeti na seznamu so lahko priloženi orodju kot standardni pribor. Lahko se razlikuje od države do države.

SHQIP (Udhëzimet origjinale)

Shpjegim i pamjes së përgjithshme

1-1. Butoni	4-1. Disku	7-2. Vrimat në veglën e përdorimit
1-2. Treguesi i kuq	5-1. Llamba e treguesit	7-3. Pjesët e dala të flanxhën e veglës
1-3. Kutia e baterisë	6-1. Buloni mbajtës	9-1. Përshtatësi
2-1. Shënim me yll	6-2. Leva bllokuese	
3-1. Çelësi me rrëshqitje	7-1. Buloni mbajtës	

SPECIFIKIMET

Modeli		DTM41		DTM51	
Luhatje në minutë		6000 - 20 000 (min ⁻¹)			
Këndi i luhatjes, majtas/djathtas		1,6 ° (3,2 ° në total)			
Kutia standarde e baterisë		BL1430/ BL1440	BL1415 *	BL1830/ BL1840	BL1815 */ BL1815N *
Gjatësia e përgjithshme		340 mm	326 mm	340 mm	326 mm
Pesha neto	pa pjesën shtesë për nxjerrjen e pluhurave	2,1 kg	2,0 kg	2,2 kg	2,0 kg
	me pjesën shtesë për nxjerrjen e pluhurave	2,2 kg	2,1 kg	2,3 kg	2,1 kg
Tensioni nominal		DC 14,4 V		DC 18 V	

* SHËNIM: Për përdorim të vazhdueshëm, rekomandohet kuti baterie me kapacitet të lartë BL1430, BL1440, BL1830 dhe BL1840.

- Për shkak të programit tonë të vazhdueshëm të kërkim-zhvillimit, specifikimet e përmendura këtu mund të ndryshojnë pa njoftim paraprak.
- Specifikimet dhe kutia e baterisë mund të ndryshojnë nga njëri shtet në tjetrin.
- Pesha me kutinë e baterisë sipas procedurës EPTA 01.2003

ENE080-1

Përdorimi i synuar

Vegla është synuar për prerje me sharrë dhe prerje të drurit, plastikës, gipsit, metaleve jo të hekurta dhe për shtrëngimin e elementeve (p.sh. gozhdëve dhe kunjave të pa temperuara). Gjithashtu është synuar për punim në pllaka muri të buta si edhe për smerilim dhe gërryerje të materialeve të thata. Përdoret veçanërisht për punim afër anëve dhe për prerje rrafsh.

ENG905-1

Zhurma

Niveli tipik i zhurmës A, i matur sipas EN60745:

Regjimi i punës: Smerilim

Modeli DTM41

Niveli i presionit të zërit (L_{pA}): 76 dB (A)

Pasiguria (K) : 3 dB (A)

Niveli i zhurmës mund të tejkalojë 80 dB (A).

Modeli DTM51

Niveli i presionit të zërit (L_{pA}): 77 dB (A)

Pasiguria (K) : 3 dB (A)

Niveli i zhurmës mund të tejkalojë 80 dB (A).

Regjimi i punës: Prerje me disk sharre për prerje me temperim

Modeli DTM41

Niveli i presionit të zërit (L_{pA}): 80 dB (A)

Niveli i fuqisë së zërit (L_{WA}): 91 dB (A)

Pasiguria (K): 3 dB (A)

Modeli DTM51

Niveli i presionit të zërit (L_{pA}): 81 dB (A)

Niveli i fuqisë së zërit (L_{WA}): 92 dB (A)

Pasiguria (K): 3 dB (A)

Regjimi i punës: Prerje me disk sharre me segmente

Modeli DTM41

Niveli i presionit të zërit (L_{pA}): 77 dB (A)

Pasiguria (K) : 3 dB (A)

Niveli i zhurmës mund të tejkalojë 80 dB (A).

Modeli DTM51

Niveli i presionit të zërit (L_{pA}): 76 dB (A)

Pasiguria (K) : 3 dB (A)

Niveli i zhurmës mund të tejkalojë 80 dB (A).

Regjimi i punës: Gërryerje

Modeli DTM41

Niveli i presionit të zërit (L_{pA}): 78 dB (A)

Pasiguria (K) : 3 dB (A)

Niveli i zhurmës mund të tejkalojë 80 dB (A).

Modeli DTM51

Niveli i presionit të zërit (L_{pA}): 80 dB (A)

Niveli i fuqisë së zërit (L_{WA}): 91 dB (A)

Pasiguria (K): 3 dB (A)

Mbani mbrojtëse për veshët

ENG900-1

Dridhjet

Vlera totale e dridhjeve (shuma e vektorit me tre akse) përcaktohet sipas EN60745:

Modeli DTM41

Regjimi i punës: smerilim

Emetimi i dridhjeve (a_{h1}): 3,0 m/s²

Pasiguria (K): 1,5 m/s²

Modeli DTM51

Regjimi i punës: smerilim

Emetimi i dridhjeve (a_{h1}): 3,0 m/s²

Pasiguria (K): 1,5 m/s²

Modeli DTM41

Regjimi i punës: prerje me disk sharre për prerje me temperim

Emetimi i dridhjeve (a_{h1}): 7,0 m/s²

Pasiguria (K): 1,5 m/s²

Modeli DTM51

Regjimi i punës: prerje me disk sharre për prerje me temperim

Emetimi i dridhjeve (a_{h1}): 7,0 m/s²

Pasiguria (K): 1,5 m/s²

Modeli DTM41

Regjimi i punës: prerje me disk sharre me segmente

Emetimi i dridhjeve (a_{h1}): 4,5 m/s²

Pasiguria (K): 1,5 m/s²

Modeli DTM51

Regjimi i punës: prerje me disk sharre me segmente

Emetimi i dridhjeve (a_{h1}): 4,5 m/s²

Pasiguria (K): 1,5 m/s²

Modeli DTM41

Regjimi i punës: gërryerje

Emetimi i dridhjeve (a_{h1}): 5,0 m/s²

Pasiguria (K): 1,5 m/s²

Modeli DTM51

Regjimi i punës: gërryerje

Emetimi i dridhjeve (a_{h1}): 5,5 m/s²

Pasiguria (K): 1,5 m/s²

ENG901-1

- Vlera e deklaruar e emetimeve të dridhjeve është matur sipas metodës standarde të testimit dhe mund të përdoret për të krahasuar një vegël me një tjetër.
- Vlera e deklaruar e emetimeve të dridhjeve mund të përdoret për një vlerësim paraprak të ekspozimit.

⚠ PARALAJMËRIM:

- Emetimet e dridhjeve gjatë përdorimit aktual të veglës elektrike mund të ndryshojnë nga vlerat e deklaruara të emetimeve në varësi të mënyrave sesi përdoret vegla.
- Sigurohuni që të identifikoni masat e sigurisë për mbrojtjen e përdoruesit, që bazohen në vlerësimin e ekspozimit ndaj kushteve aktuale të përdorimit (duke marrë parasysh të gjitha pjesët e ciklit të funksionimit si ato kur vegla është e fikur dhe punon pa prerë, ashtu edhe kohën e përdorimit).

ENH101-17

Vetëm për shtetet evropiane

Deklarata e konformitetit me KE-në

Makita deklaruar që makineria(të) e mëposhtme:

Emërtimi i makinerisë:

Vegla shumëfunktionale me bateri

Nr. i modelit/ Lloji: DTM41, DTM51

Pajtohet me direktivën evropiane të mëposhtme:

2006/42/KE

Ato janë prodhuar konform standardit ose dokumenteve të standardizuara si vijon:

EN60745

Skedari teknik konform direktivës 2006/42/KE disponohet nga:

Makita, Jan-Baptist Vinkstraat 2, 3070, Belgjikë

18.7.2013



000331

Yasushi Fukaya

Drejtor

Makita, Jan-Baptist Vinkstraat 2, 3070, Belgjikë

Paralajmërimet e përgjithshme për sigurinë e veglës

⚠ PARALAJMËRIM Lexoni të gjitha paralajmërimet dhe udhëzimet për sigurinë. Mosndjekja e paralajmërimeve dhe udhëzimeve mund të rezultojë në goditje elektrike, zjarr dhe/ose dëmtim serioz.

Ruajini të gjitha paralajmërimet dhe udhëzimet për të ardhmen.

GEB094-2

PARALAJMËRIME SIGURIE PËR VEGLËN SHUMËFUNKSIONALE ME BATERI

- Kjo vegël është synuar të funksionojë për prerje me sharrë, prerje, lëmim dhe smerilim. Lexoni të gjitha paralajmërimet për sigurinë, udhëzimet, ilustrimet dhe specifikimet e dhëna me këtë vegël elektrike. Mosndjekja e të gjitha udhëzimeve të renditura më poshtë mund të shkaktojë goditje elektrike, zjarr dhe/ose lëndim të rëndë.
- Mbajeni pajisjen elektrike të sipërfaqet e izoluar kur të jeni duke kryer një veprim në të cilin aksessori prerës mund të kontaktojë me tela të fshehur. Nëse aksessori prerës prek një tel me rrymë atëherë pjesët metalike të pajisjes elektrike elektrizohen dhe mund t'i japin punëtorit goditje elektrike.
- Përdorni morseta ose ndonjë mënyrë tjetër praktike për ta siguruar dhe për ta mbështetur materialin e punës në një platformë të qëndrueshme. Mbajtja e materialit me dorë ose përkundrejt trupit tuaj e lë atë të paqëndrueshëm dhe mund të shkaktojë humbje të kontrollit.
- Përdorni gjithmonë syze sigurie të mëdha ose të vogla. Syzet e zakonshme ose syzet e diellit NUK janë syze sigurie.
- Shmangni prerjen e gozhdëve. Kontrolloni materialin e punës për gozhdë dhe hiqini ato përpara se të punoni.
- Mbajeni fort pajisjen.
- Sigurohuni që vegla e punës nuk e prek materialin e punës përpara se të ndizet çelësi.
- Mbajini duart larg pjesëve lëvizëse.
- Mos e lini veglën të ndezur. Përdoreni veglën vetëm duke e mbajtur në dorë.
- Gjithmonë fikeni veglën dhe prisni që fleta të ndalojë plotësisht përpara se ta hiqni atë nga materiali i punës.
- Mos e prekni veglën e punës ose materialin e punës menjëherë pas veprimit; ato mund të jenë shumë të nxehta dhe mund t'ju djegin lëkurën.
- Mos e përdorni veglën pa ngarkesë nëse nuk është e nevojshme.
- Përdorni gjithmonë maskën kundër pluhurit/respiratorin e duhur për materialin dhe për aplikacionin me të cilët po punoni.
- Disa materiale përmbajnë kimikate që mund të jenë toksike. Kini kujdes që të parandaloni thithjen e pluhurave dhe kontaktin me lëkurën. Ndriqni të dhënat e sigurisë nga furnizuesi i materialit.
- Kjo pajisje nuk është rezistente ndaj ujit, kështu që mos përdorni ujë mbi sipërfaqen e materialit të punës.
- Ajrosni siç duhet mjedisin e punës kur kryeni veprime smerilimi.
- Përdorimi i kësaj vegle për të smeriluar disa produkte, bojëra dhe drurë mund ta ekspozojë përdoruesin ndaj substancave të rrezikshme që përmbajnë pluhur. Përdorni mbrojtëse të përshatshme për frymëmarrjen.
- Sigurohuni që nuk ka krisje ose thyerje të mbështetësja përpara përdorimit. Krisjet ose thyerjet mund të shkaktojnë lëndim personal.
- Mos përdorni aksesorë që nuk janë projektuar dhe rekomanduar nga prodhuesi i veglës. Fakti që aksessori mund të lidhet me veglën tuaj elektrike, nuk garanton për një proces të sigurt.
- Mbani pajisje mbrojtëse personale. Në varësi të përdorimit, përdorni mbrojtëse për fytyrën ose syze sigurie të mëdha ose të vogla. Sipas rastit, mbani mbrojtëse për dëgjimin, doreza dhe përparëse pune që mund të ndalojë copëzat abrazive ose të materialit të punës. Mbrojtësja e syve duhet të ketë aftësi të ndalojë copat fluturuese që prodhohen nga veprimet e ndryshme. Maska kundër pluhurit ose respiratori duhet të jenë në gjendje të filtrojnë grimcat e prodhuara nga funksionimi i pajisjes. Ekspozimi për një kohë të gjatë ndaj zhurmave të forta mund të shkaktojë humbjen e dëgjimit.
- Mos i lejoni personat të afrohen në zonën e punës. Kushdo që hyn në zonën e punës duhet të mbajë veshur mjetet mbrojtëse personale. Copëzat e materialit të punës ose të një aksessori të thyer mund të fluturojnë larg dhe të shkaktojnë dëmtime përtej zonës ku punohet.
- Mos e lëshoni veglën elektrike nga dora deri sa aksessori të ketë ndaluar plotësisht. Aksessori që rrotullohet mund të prekë sipërfaqen dhe mund ta nxjerrë veglën elektrike jashtë kontrollit.
- Mos e ndizni veglën elektrike ndërkohë që e mbani anash trupit tuaj. Kontakti aksidental me aksesorin rrotullues mund të ngecë të rrobat, duke e tërhequr aksesorin drejt trupit tuaj.
- Mos e përdorni veglën elektrike pranë materialeve të ndezshme. Shkëndijat mund t'i ndezin këto materiale.

25. Mos përdorni aksesore që kërkojnë ftohës të lëngshëm. Përdorimi i ujit ose i ftohësve të tjerë të lëngshëm mund të rezultojnë në goditje ose në goditje elektrike.
26. Gjithmonë sigurohuni që vegla është fikur dhe është hequr nga korrenti përpara se të bëni ndonjë punë mbi të.
27. Gjithmonë sigurohuni që të keni mbështetje të qëndrueshme të këmbëve. Sigurohuni që të mos ketë njeri poshtë ndërkohë që e përdorni pajisjen në vende të larta.
6. Mos e ruani pajisjen dhe kutinë e baterisë në vende ku temperatura mund të arrijë ose tejkalojë 50 ° C (122 ° F).
7. Mos e digjni kutinë e baterisë, edhe nëse është shumë e dëmtuar ose është konsumuar plotësisht. Kutia e baterisë mund të shpërthejë në zjarr.
8. Bëni kujdes që të mos e rrezoni ose ta godisni baterinë.
9. Mos përdorni bateri të dëmtuar.
10. Zbatoni rregulloret lokale rreth asgjësimit të baterisë.

RUAJINI KËTO UDHËZIME.

⚠PARALAJMËRIM:

MOS lejoni që njohja ose familjarizimi me produktin (të fituar nga përdorimi i shpeshtë) të zëvendësojnë zbatimin me përpikëri të rregullave të sigurisë për produktin në fjalë. KEQPËRDORIMI ose mosndjekja e rregullave të sigurisë të dhëna në këtë manual përdorimi mund të shkaktojnë dëmtime personale serioze.

ENC007-8

UDHËZIME TË RËNDËSISHME PËR SIGURINË

PËR KUTINË E BATERISË

1. Përpara se ta përdorni kutinë e baterisë, lexoni të gjitha udhëzimet dhe shënimet e masave parandaluese të (1) ngarkuesi i baterisë, (2) bateria dhe (3) produkti që përdor baterinë.
2. Mos e hiqni kutinë e baterisë.
3. Nëse koha e përdorimit është shkurtuar jashtë mase, ndalojeni punën menjëherë. Kjo mund të rezultojë në rrezik mbinxehjeje, djegie të mundshme, madje edhe shpërthim.
4. Nëse ju futen elektrolite në sy, shpëlajini sytë me ujë të pastër dhe kërkoni ndihmë mjekësore menjëherë. Kjo gjë mund të rezultojë në humbje të shikimit.
5. Mos bëni lidhje të shkurtër me kutinë e baterisë:
 - (1) Mos i prekni polet me materiale të tjera përcjellëse.
 - (2) Shmangni ruajtjen e kutisë së baterisë në një kuti me objekte të tjera metalike, si gozhdë, monedha etj.
 - (3) Mos e ekspozoni kutinë e baterisë në ujë ose shi.

Qarku i shkurtër i baterisë mund të shkaktojë qarkullim të madh të rrymës elektrike, mbinxehje, djegie të mundshme dhe madje prishje.

RUAJINI KËTO UDHËZIME.

Këshilla për të ruajtur jetëgjatësinë maksimale të baterisë

1. Ngarkojeni baterinë përpara se të shkarkohet plotësisht. Gjithmonë ndaloni punën me pajisjen dhe ngarkoni baterinë kur vëreni ulje të fuqisë së pajisjes.
2. Asnjëherë mos e ringarkoni baterinë e ngarkuar plotësisht. Mbingarkimi shkurton jetëgjatësinë e shërbimit të baterisë.
3. Ngarkojeni baterinë në temperaturën e dhomës në 10 ° C-40 ° C (50 ° F - 104 ° F). Lëreni kutinë e nxehtë të baterisë të ftohet përpara se ta ngarkoni atë.
4. Ngarkojeni baterinë një herë në gjashtë muaj nëse nuk e përdorni për një kohë të gjatë.

PËRSHKRIMI I PUNËS

⚠️ PARALAJMËRIM:

- Sigurohuni gjithmonë që vegla të jetë e fikur dhe kutia e baterisë të jetë e hequr përpara se të rregulloni ose të kontrolloni funksionin e veglës. Nëse vegla nuk fiket ose kutia e baterisë nuk hiqet, ndezja aksidentale mund të shkaktojë lëndim të rëndë personal.

Instalimi ose heqja e kutisë së baterisë

Fig.1

⚠️ KUJDES:

- Fikeni gjithmonë veglën përpara se të instaloni ose hiqni kutinë e baterisë.
- **Mbajeni fort veglën dhe kutinë e baterisë kur vendosni ose hiqni kutinë e baterisë.** Mosmbajta fort e veglës dhe kutisë së baterisë mund të bëjë që ato t'ju rrëshqasin nga duart dhe të sjellë dëmtimin e veglës dhe të kutisë së baterisë, si dhe lëndimin e personit.

Për të hequr kutinë e baterisë, rrëshqiteni atë nga vegla ndërsa rrëshqisni butonin në pjesën e përparme të kutisë së baterisë.

Për të vendosur kutinë e baterisë, bashkërenditni gjuhëzën e kutisë së baterisë me kanalën e folesë dhe rrëshqiteni për ta futur. Futeni deri në fund, derisa të kërcasë dhe të bllokohet në vend. Nëse shikoni treguesin e kuq në anën e sipërme të butonit, ajo nuk është bllokuar plotësisht.

⚠️ KUJDES:

- Vendoseni gjithnjë plotësisht kutinë e baterisë derisa treguesi i kuq të mos duket. Nëse jo, ajo mund të bjerë aksidentalisht nga vegla duke ju lënduar ju ose personat pranë.
- Mos e vendosni me forcë kutinë e baterisë. Nëse kutia nuk rrëshqet me lehtësi brenda, ajo nuk është futur siç duhet.

Sistemi i mbrojtjes së baterisë (bateri litiumi e shënuar me yll)

Fig.2

Bateritë e litiumit të shënuara me yll janë të pajisura me një sistem mbrojtjeje. Ky sistem ndërpret automatikisht energjinë në vegël për të zgjatur jetëgjatësinë e baterisë. Vegla do të ndalojë automatikisht gjatë punës nëse vegla dhe/ose bateria janë vendosur sipas një prej kushteve të mëposhtme:

- I mbingarkuar:
Vegla përdoret në një mënyrë që e bën atë të marrë rrymë të lartë anormale.
Në këtë situatë, rrëshqisni çelësin e rrëshqitjes në vegël drejt pozicionit "O (FIKUR)" dhe ndaloni aplikacionin që shkaktoi mbingarkesën e veglës. Më pas rrëshqisni çelësin e rrëshqitjes në pozicionin "I (NDEZUR)" sërish për ta rindezur.

Nëse vegla nuk ndizet, bateria është mbinxehur. Në këtë situatë, lëreni baterinë të ftohet përpara se ta rrëshqisni çelësin e rrëshqitjes sërish drejt pozicionit "I (NDEZUR)".

- Tension i ulët i baterisë:
Kapaciteti i mbetur i baterisë është shumë i ulët dhe vegla nuk do të punojë. Në këtë situatë, hiqni dhe ngarkoni baterinë.

Mbrojtja ndaj mbinxehjes

Kur vegla mbingarkohet dhe temperatura e veglës arrin një nivel të caktuar, vegla ndalon automatikisht. Në këtë situatë, lëreni veglën të ftohet përpara se ta aktivizoni veglën sërish.

Veprimi i ndërrimit

Fig.3

⚠️ KUJDES:

- Përpara se të instaloni kutinë e baterisë në vegël, kontrolloni gjithmonë që vegla të jetë fikur.

Për ta ndezur veglën, rrëshqitni çelësin e rrëshqitjes drejt pozicionit "I (ON)" (NDEZUR).

Për ta fikur veglën, rrëshqitni çelësin e rrëshqitjes drejt pozicionit "O (OFF)" (FIKUR).

Rregullimi i shpejtësisë së goditjes eliptike

Fig.4

Shpejtësia e goditjes eliptike është e rregullueshme. Për të ndryshuar shpejtësinë e goditjes eliptike, rrotulloni diskun midis 1 dhe 6. Sa më i lartë të jetë numri aq më e lartë është shpejtësia e goditjes eliptike. Caktojini paraprakisht diskun në numrin e përshtatshëm për materialin e punës.

SHËNIM:

- Disku nuk mund të rrotullohet menjëherë nga 1 në 6 ose nga 6 në 1. Ushtrimi i forcës mbi disk mund ta dëmtojë veglën. Kur ndryshoni drejtimin e diskut, rrotullojeni gjithmonë duke e lëvizur përmes secilit numër të ndërmjetëm.

Llamba e treguesit

Fig.5

- Llamba treguese pulson kur kapaciteti i mbetur i baterisë ulet.
- Kur kapaciteti i mbetur i baterisë ulet tej mase, vegla fiket gjatë funksionimit dhe llamba treguese ndizet për rreth 10 sekonda.

Në këtë moment hiqni kutinë e baterive nga vegla dhe ngarkojeni.

MONTIMI

⚠️KUJDES:

- Sigurohuni gjithmonë që vegla të jetë e fikur dhe kutia e baterisë të jetë hequr përpara se të kryeni ndonjë punë në vegël.

Instalimi ose heqja e veglës së përdorimit (pjesë opsionale shtesë)

⚠️PARALAJMËRIM:

- Mos e instaloni veglën e përdorimit me kokë poshtë. Instalimi i veglës së përdorimit me kokë poshtë mund ta dëmtojë atë dhe të shkaktojë lëndim të rëndë personal.
- Instaloheni veglën e përdorimit në drejtimin e duhur sipas punës. Vegla e përdorimit mund të instalohet në çdo kënd 30 gradë.

⚠️KUJDES:

- Tregoni kujdes kur shtyni në vend levën e bllokimit. Leva e bllokimit mund të shtyhet papritur dhe t'ju kapë gishtin.
 - Pastroni pluhurin dhe lubrifikoni herë pas here pjesën e lëvizshme të levës së bllokimit. Në të kundërt, pluhuri mund të grumbullohet në pjesën e lëvizshme të levës së bllokimit dhe të pengojë lëvizjen pa problem të saj.
 - Mos e ndizni veglën kur hapet leva. Vegla mund të dëmtohet.
1. Hapeni levën e bllokimit plotësisht. Hiqni bulonin mbajtës.

Fig.6

2. Vendosni një vegël përdorimi(pjesë opsionale shtesë) në flaxhën e veglës në mënyrë që pjesët e dala të flaxhës të përshtaten në vrimat në veglën e përdorimit.

Fig.7

3. Shtyjeni bulonin mbajtës derisa të ndalojë. Më pas kthejeni levën e bllokimit në pozicionin e saj fillestar.

Fig.8

Kur përdorni veglën e smerilimit, montojeni veglën e përdorimit në plakën e smerilimit në mënyrë të tillë që të përshtatet me drejtimin e pllakës së smerilimit.

Pllaka e smerilimit ka një lloj sistemi me kapje, i cili mundëson përshtatjen e lehtë dhe të shpejtë të letrës smerile.

Meqë letrat smerile kanë vrima për nxjerrjen e pluhurit, montojeni letrën smerile në mënyrë të tillë që vrimat në letrën smerile të përshtaten me ato në pllakën e smerilimit.

Për ta hequr letrën smerile, ngrini pjesën fundore dhe tërhiqeni.

Për të hequr bulonin mbajtës, ndiqni procedurat e instalimit në rend të kundërt.

Fig.9

Kur përdorni vegla përdorimi me seksion të ndryshëm të llojit të instalimit, përdorni përshtatësin e duhur (pjesë opsionale shtesë).

PËRDORIMI

⚠️PARALAJMËRIM:

- Përpara se ta ndizni veglën dhe gjatë përdorimit mbajeni dorën dhe fytyrën larg veglës së përdorimit.

⚠️KUJDES:

- Mos vendosni ngarkesë të tepërt mbi vegël pasi kjo mund të shkaktojë bllokimin e motorit ose fikjen e veglës.

Prerja, prerje me sharrë dhe gërryerje

⚠️KUJDES:

- Mos ushtroni forcë mbi vegël gjatë lëvizjes në drejtimin e veglës së përdorimit (p.sh. në drejtim të cilësdo anë), pa e përdorur skajin prerës. Kjo mund të dëmtojë veglën.

Fig.10

Vendoseni veglën e përdorimit mbi materialin e punës. Më pas lëvizeni veglën përpara në mënyrë të tillë që lëvizja e veglës së përdorimit të mos ngadalësohet.

SHËNIM:

- Ushtrimi i forcës ose presionit të tepërt mbi vegël mund të reduktojë efikasitetin.
- Përpara prerjes, rekomandohet ta vendosni paraprakisht shpejtësinë e goditjes eliptike në nivelin 4-6.
- Hiqni tallashin duke e tërhequr veglën siç duhet. Kjo rrit efikasitetin e punës.
- Sharra e rrumbullakët rekomandohet për prerje në vijë të gjatë të drejtë.

Smerilim

⚠️KUJDES:

- Mos e përdorni për smerilim në dru letrën smerile që është përdorur më parë për smerilim të metalit.
- Mos përdorni letër smerile të konsumuar ose letër smerile pa grimca të ashpra.

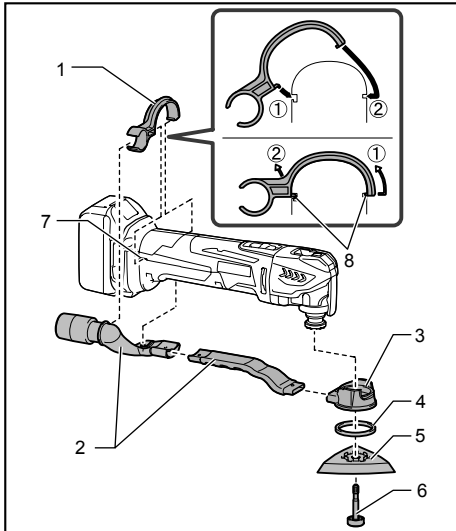
Fig.11

Përdorni letër smerile mbi materialin e punës.

SHËNIM:

- Rekomandohet përdorimi i një mostre materiali për provë për të përcaktuar shpejtësinë e goditjes eliptike të përshtatshme për punën tuaj.
- Përdorni letër smerile me të njëjtat grimca të ashpra derisa të përfundojë smerilimi i të gjithë materialit të punës. Zëvendësimi i letrës smerile me grimca të ashpra të ndryshme mund të mos arrijë rezultate të mira.

Pjesa shtesë për nxjerrjen e pluhurave (pjesë opsionale shtesë)



1. Shiriti i hundëzës
2. Hundëza e pluhurit
3. Pjesa shtesë për pluhurat
4. Unaza prej kartoni të trashë
5. Bllok
6. Buloni mbajtës
7. Vrimat në vegël
8. Pjesët e dala në shiritin e hundëzës

014561

- Instaloni hundëzat e pluhurit dhe pjesën shtesë për pluhurat.
- Instaloni shiritin e hundëzës në vegël, në mënyrë të tillë që pjesët e dala në vegël ta shtrëngojnë atë.
- Vendosni unazën prej kartoni të trashë dhe plakën e smerilimit në pjesën shtesë për pluhurat dhe më pas sigurojini me bulonin e instalimit të veglës së përdorimit.

Fig.12

Kur dëshironi të kryeni pastrim më të mirë, lidhni një fshesë me korrent me veglën tuaj. Lidhni tubin e fshesës me korrent me pjesën shtesë për nxjerrjen e pluhurave (pjesë opsionale shtesë).

MIRËMBAJTJA

⚠KUJDES:

- Sigurohuni gjithmonë që vegla të jetë fikur dhe të jetë hequr nga bateria përpara se të kryeni inspektimin apo mirëmbajtjen.
- Mos përdorni kurrë benzinë, benzinë pastrimi, hollues, alkool dhe të ngjashme. Mund të shkaktoni çngjyrosje, deformime ose krisje.

Për të ruajtur SIGURINË dhe BESUESHMËRINË, riparimet, inspektimet dhe zëvendësimet e karbonçinave dhe çdo mirëmbajtje apo rregullim tjetër duhen kryer nga qendrat e autorizuara të shërbimit të Makita-s, duke përdorur gjithnjë pjesë këmbimi të Makita-s.

AKSESORË OPSIONALË

⚠KUJDES:

- Këta aksesore ose shtojca rekomandohen për përdorim me veglën Makita të përcaktuar në këtë manual. Përdorimi i aksesoreve apo shtojcave të tjera ndryshe nga këto mund të përbëjë rrezik lëndimi. Aksesoret ose shtojcat përdorini vetëm për qëllimin e tyre të përcaktuar.

Nëse keni nevojë për më shumë të dhëna në lidhje me aksesoret, pyesni qendrën vendore të shërbimit të Makita-s.

- Disk sharre me segmente
- Disk i sharrës së rumbullakët
- Disk sharre për prerje me temperim
- Gërryesi(i fortë)
- Gërryesi(elastik)
- Disk i dhëmbëzuar me segmente
- Prerësi i zakonshëm me xhunto
- Heqësi HM
- Disk sharre me segmente HM
- Pllaka e smerilimit HM
- Disk diamanti i sharrës me segmente
- Pllaka e smerilimit
- Përshtatësi
- Letër abrazive delta (e kuqe/e bardhë/e zezë)
- Material i leshtë delta (mesatar/i ashpër/pa grimca)
- Material i presuar lëmimi delta
- Çelësi heksagonal
- Pjesa shtesë për nxjerrjen e pluhurave
- Bateri dhe ngarkues origjinal Makita

SHËNIM:

- Disa artikuj të listës mund të përfshihen në paketën e veglës si aksesore standardë. Ato mund të ndryshojnë nga njëri shtet në tjetrin.

БЪЛГАРСКИ (Оригинална инструкция)

Разяснение на общия изглед

1-1. Бутон	4-1. Дисков превключвател	7-2. Отвори в работното приложение
1-2. Червен индикатор	5-1. Светлинен индикатор	7-3. Издатини по фланеца на инструмента
1-3. Акумулатор	6-1. Задържащ болт	9-1. Адаптер
2-1. Маркировка звезда	6-2. Блокиращо лостче	
3-1. Пусков прекъсвач	7-1. Задържащ болт	

СПЕЦИФИКАЦИИ

Модел		DTM41		DTM51	
Обороти в минута		6 000 - 20 000 (мин ⁻¹)			
Ъгъл на въртене, ляв/десен		1.6 ° (3.2 ° общо)			
Стандартна акумулаторна батерия		BL1430/ BL1440	BL1415 *	BL1830/ BL1840	BL1815 */ BL1815N *
Обща дължина		340 мм	326 мм	340 мм	326 мм
Нето тегло	без приложение за извличане на прах	2.1 кг	2.0 кг	2.2 кг	2.0 кг
	с приложение за извличане на прах	2.2 кг	2.1 кг	2.3 кг	2.1 кг
Номинално напрежение		Постоянно напрежение 14.4 V		Постоянно напрежение 18 V	

* ЗАБЕЛЕЖКА: За непрекъсната работа се препоръчва акумулаторна батерия BL1430, BL1440, BL1830 или BL1840 с повишен капацитет.

- Поради нашата непрекъсната научно-развойна дейност посочените тук спецификации могат да бъдат променени без предизвестие.
- Спецификациите и акумулаторите могат да са различни в различните държави.
- Тегло, с акумулатор, съгласно Процедурата ЕРТА 01/2003

ENE080-1

Предназначение

Инструментът е предназначен за срязване и разрязване на дърво, пластмаса, гипс, цветни метали и крепежни елементи (напр. незакалени пирони и метални закрепващи скоби). Също така е предназначен за обработка на меки стенни облицовъчни плочи, както и сухо шлайфане и изравняване на малки повърхности. Специализиран е за работа по краищата и гладки срезове.

ENG905-1

Шум

Обичайното средно претеглено ниво на шума, определено съгласно EN60745:

Работен режим: Шлайфане

Модел DTM41

Ниво на звуково налягане (L_{pA}): 76 dB (A)
Коефициент на несигурност (K): 3 dB (A)

Нивото на шума при работа може да надвиши 80 dB (A).

Модел DTM51

Ниво на звуково налягане (L_{pA}): 77 dB (A)
Коефициент на несигурност (K): 3 dB (A)

Нивото на шума при работа може да надвиши 80 dB (A).

Работен режим: Рязане с диск на дисков трион

Модел DTM41

Ниво на звуково налягане (L_{pA}): 80 dB (A)
Ниво на звукова мощност (L_{WA}): 91 dB (A)
Коефициент на несигурност (K): 3 dB (A)

Модел DTM51

Ниво на звуково налягане (L_{pA}): 81 dB (A)
Ниво на звукова мощност (L_{WA}): 92 dB (A)
Коефициент на несигурност (K): 3 dB (A)

Работен режим: Рязане с диамантен сегментен диск

Модел DTM41

Ниво на звуково налягане (L_{pA}): 77 dB (A)
Коефициент на несигурност (K): 3 dB (A)
Нивото на шума при работа може да надвиши 80 dB (A).

Модел DTM51

Ниво на звуково налягане (L_{pA}): 76 dB (A)
Коефициент на несигурност (K): 3 dB (A)
Нивото на шума при работа може да надвиши 80 dB (A).

Работен режим: Изравняване

Модел DTM41

Ниво на звуково налягане (L_{pA}): 78 dB (A)

Коефициент на несигурност (K): 3 dB (A)

Нивото на шума при работа може да надвиши 80 dB (A).

Модел DTM51

Ниво на звуково налягане (L_{pA}): 80 dB (A)

Ниво на звукова мощност (L_{WA}): 91 dB (A)

Коефициент на несигурност (K): 3 dB (A)

Използвайте антифони

ENG900-1

Вибрации

Общата стойност на вибрациите (сума от три осови вектора), определена съгласно EN60745:

Модел DTM41

Работен режим: шлайфане

Ниво на вибрациите (a_h): 3.0 m/c^2

Коефициент на несигурност (K): 1.5 m/c^2

Модел DTM51

Работен режим: шлайфане

Ниво на вибрациите (a_h): 3.0 m/c^2

Коефициент на несигурност (K): 1.5 m/c^2

Модел DTM41

Работен режим: рязане с диск на дисков трион

Ниво на вибрациите (a_h): 7.0 m/c^2

Коефициент на несигурност (K): 1.5 m/c^2

Модел DTM51

Работен режим: рязане с диск на дисков трион

Ниво на вибрациите (a_h): 7.0 m/c^2

Коефициент на несигурност (K): 1.5 m/c^2

Модел DTM41

Работен режим: рязане с диамантен сегментен диск

Ниво на вибрациите (a_h): 4.5 m/c^2

Коефициент на несигурност (K): 1.5 m/c^2

Модел DTM51

Работен режим: рязане с диамантен сегментен диск

Ниво на вибрациите (a_h): 4.5 m/c^2

Коефициент на несигурност (K): 1.5 m/c^2

Модел DTM41

Работен режим: изравняване

Ниво на вибрациите (a_h): 5.0 m/c^2

Коефициент на несигурност (K): 1.5 m/c^2

Модел DTM51

Работен режим: изравняване

Ниво на вибрациите (a_h): 5.5 m/c^2

Коефициент на несигурност (K): 1.5 m/c^2

ENG901-1

- Обявеното ниво на вибрациите е измерено в съответствие със стандартни методи за изпитване и може да се използва за сравняване на инструменти.
- Освен това, обявеното ниво на вибрациите може да се използва за предварителна оценка на вредното въздействие.

⚠ ПРЕДУПРЕЖДЕНИЕ:

- Нивото на вибрациите при работа с електрическия инструмент може да се различава от обявената стойност в зависимост от начина на използване на инструмента.
- Задължително определете предпазни мерки за защита на оператора въз основа на оценка на риска в реални работни условия (като се вземат предвид всички съставни части на работния цикъл, като например момента на изключване на инструмента, работата на празен ход, както и времето на задействане).

EN1101-17

Само за страните от ЕС.

ЕО Декларация за съответствие

Makita декларира, че следната/ите машина/и:

Наименование на машината:

Акумулаторен комбиниран инструмент

Модел №/ Тип: DTM41, DTM51

Съответстват на изискванията на следните европейски директиви:

2006/42/ЕО

Произведение са в съответствие със следния Стандарт или стандартизирани документи:

EN60745

Съгласно 2006/42/ЕС, файлът с техническа информация е наличен от:

Makita, Jan-Baptist Vinkstraat 2, 3070, Белгия

18.7.2013



000331

Ясуши Фукайа

Директор

Makita, Jan-Baptist Vinkstraat 2, 3070, Белгия

Общи предупреждения за безопасност при работа с електрически инструменти

⚠ ПРЕДУПРЕЖДЕНИЕ Прочетете всички предупреждения за безопасност и всички инструкции. При неспазване на предупрежденията и инструкциите има опасност от токов удар, пожар и/или тежко нараняване.

Запазете всички предупреждения и инструкции за справка в бъдеще.

GEB094-2

ПРЕДУПРЕЖДЕНИЯ ЗА БЕЗОПАСНА РАБОТА С АКУМУЛАТОРЕН КОМБИНИРАН ИНСТРУМЕНТ

1. Този електрически инструмент е предназначен за операции за рязане, срязване, шлайфане и изравняване. Прочетете всички предупреждения, инструкции, илюстрации и спецификации за безопасността, предоставени с този електрически инструмент. При неспазване на изброените по-долу инструкции има опасност от токов удар, пожар и/или тежко нараняване.
2. Дръжте електрическия инструмент за изолираните и нехлъзгави повърхности, когато има опасност свредлото да допре в скрити кабели. Ако свредлото допре до проводник под напрежение, токът може да премине през металните части на инструмента и да „ударя“ работещия.
3. Използвайте стяги или друг практичен способ за закрепване на работния детайл върху стабилна повърхност. Ако дръжите детайла в ръка или притиснат към тялото ви, той няма да е стабилен и може да загубите контрол.
4. Винаги ползвайте защитни очила. Обикновените или слънчеви очила НЕ са защитни.
5. Избягвайте да режете гвоздеи. Огледайте обработвания детайл за гвоздеи и ги махнете, преди да пристъпите към работа.
6. Дръжте инструмента здраво.
7. Преди да включите инструмента се уверете, че работното приложение не се допира до обработвания детайл.
8. Дръжте ръцете си далеч от подвижните части.
9. Не оставяйте инструмента да работи без надзор. Инструментът трябва да работи, само когато го държите в ръце.
10. Изключете инструмента и изчакайте ножът да спре да се движи напълно преди да го изваждате от обработвания детайл.
11. Не докосвайте работното приложение или обработвания детайл непосредствено след работа, защото могат да са много горещи и да изгорят кожата ви.
12. Не оставяйте инструмента да работи ненужно на празен ход.
13. Винаги ползвайте маска за прах или дихателен апарат, съответстващ на материала и уреда, с който работите.
14. Някои материали съдържат химикали, които могат да са токсични. Вземете предпазни мерки, за да предотвратите вдишването на прах и контакта с кожата. Следвайте информацията на доставчика на материал за безопасната работа с него.
15. Този инструмент не е водонепроницаем, поради което не използвайте вода по повърхността на обработвания детайл.
16. Осигурете адекватна вентилация на помещението, в което шлайфате.
17. Ползването на този инструмент за шлайфане на някои изделия, бои и дърво, може да изложи потребителя на въздействие от прах, съдържащ опасни вещества. Ползвайте подходящи средства за дихателна защита.
18. Преди работа се уверете, че по основата няма пукнатини или повреди. Пукнатините и повредите могат да причинят телесна повреда.
19. Не използвайте аксесоари, които не са специално предназначени и препоръчани от производителя на инструмента. Това, че даден аксесоар може да бъде закрепен към инструмента, не осигурява безопасната му работа.
20. Използвайте лични предпазни средства. В зависимост от вида на работата, използвайте маска за лице или предпазни очила. При необходимост, използвайте антифони, ръкавици и работна престилка, които да могат да ви предпазят от малки абразивни частици или парченца от обработвания детайл. Предпазните средства за очите трябва да могат да спрат летящи отпадъци, създадени при различни операции. Маската за прах или дихателният апарат трябва да могат да филтрират твърдите частици, образувани по време на работа. Продължителното излагане на силен шум може да причини загуба на слуха.
21. Страничните лица трябва да стоят на безопасно разстояние от работната зона. Всеки, който влиза в работната зона, трябва да използва лични предпазни средства. Парчета от обработвания детайл или от счупен аксесоар могат да изхвърчат и да причинят наранявания извън непосредствената зона на работа.

22. Не оставяйте инструмента на земята, докато аксесоарът не спре напълно да се върти. Въртящият се диск може да захване повърхността и да издърпа инструмента от ръцете ви.
23. Не работете с инструмента като го държите отстрана до тялото си. При случаен допир с работното приложение, дрехите ви може да се разкъсат и да придърпат работното приложение към вашето тяло.
24. Не използвайте електрическия инструмент в близост до леснозапалими материали. Искрите могат да запалят тези материали.
25. Не използвайте аксесоари, за които се изисква водно охлаждане. Използването на вода или други охлаждащи течности може да доведе до токов удар и дори до смърт.
26. Преди да правите нещо по инструмента винаги проверявайте дали е изключен от бутона и от контакта, или дали батерията е извадена.
27. Винаги осигурявайте добра опора за краката си. Когато използвате инструмента на високи места се убедете, че отдолу няма никой.

ЗАПАЗЕТЕ НАСТОЯЩИТЕ ИНСТРУКЦИИ.

⚠ ПРЕДУПРЕЖДЕНИЕ:

НЕ позволявайте успокоението от познаването на продукта (придобито при дългата му употреба) да замени стриктното спазване на правилата за безопасност за въпросния продукт. НЕПРАВИЛНАТА УПОТРЕБА и неспазването на правилата за безопасност, посочени в настоящото ръководство за експлоатация, могат да доведат до тежки наранявания.

ENC007-8

ВАЖНИ ИНСТРУКЦИИ ЗА БЕЗОПАСНОСТ АКУМУЛАТОРА

1. Преди да използвате акумулатора прочетете всички инструкции и предупредителни маркировки на (1) зарядното устройство за акумулаторите, (2) за акумулаторите и (3) за използвания акумулаторите продукт.
2. Не разглобявайте акумулаторите.
3. Ако мощността на машината намалее много, веднага спрете да работите. Това може да доведе до риск от прегряване, до възможни изгаряния и даже до експлозии.
4. Ако в очите ви попадне електролит, изплакнете ги с чиста вода и веднага

5. потърсете лекарска помощ. Това може да доведе до загуба на зрението ви.
 5. Не давайте на късо акумулаторите:
 - (1) Не докосвайте клемите с проводими материали.
 - (2) Избягвайте съхраняването на акумулаторите в контейнер с други метални предмети като пирони, монети и други подобни.
 - (3) Не излагайте акумулаторите на вода или дъжд.
- Закъсяването на акумулатор може да доведе до протичане на много силен ток, до прегряване, до възможни изгаряния и даже до разпадане на акумулатора.
6. Не съхранявайте инструмента и акумулаторите на места, където температурата може да достигне, или надмине 50 ° C (122 ° F).
 7. Не изгаряйте акумулаторите, даже и ако те са сериозно повредени или напълно износени. Акумулаторът може да експлодира в огън.
 8. Внимавайте да не изпускате или удряте акумулатора.
 9. Не използвайте повредени акумулатори.
 10. Спазвайте местните разпоредби за изхвърляне на акумулатори.

ЗАПАЗЕТЕ НАСТОЯЩИТЕ ИНСТРУКЦИИ.

Съвети за поддържане на максимално дълъг живот на акумулаторите

1. Зареждайте акумулаторите преди те да са се разреждали напълно. Когато забележите, че мощността на инструмента намалява, винаги спирайте работата с инструмента и заредете акумулатора.
2. Никога не презареждайте напълно зареден акумулатор. Презарядът скъсява експлоатационния живот на акумулаторите.
3. Зареждайте акумулаторите на стайна температура при 10 ° C - 40 ° C (50 ° F - 104 ° F). Оставете заретите акумулатори да се охлаждат преди да ги зареждате.
4. Когато няма да използвате акумулаторите за продължителен период от време, зареждайте ги по веднъж на всеки шест месеца.

ФУНКЦИОНАЛНО ОПИСАНИЕ

⚠ ПРЕДУПРЕЖДЕНИЕ:

- **Винаги проверявайте дали инструментът е изключен от бутона и че акумулаторната батерия е била извадена, преди да регулирате или проверявате функция на инструмента.** Ако инструментът не се изключи от бутона и акумулаторната батерия не е била извадена, това може да доведе до тежко телесно нараняване в резултат на неволен пуск.

Поставяне и изваждане на акумулаторната батерия

Фиг.1

⚠ ВНИМАНИЕ:

- Винаги изключвайте инструмента преди поставяне или изваждане на батерията.
- **При инсталиране или изваждане на акумулатора хванете здраво инструмента и акумулатора.** Ако не успеете здраво да задържите инструмента и акумулатора, те могат да се изплъзнат от ръцете ви, което да доведе до повреждане на инструмента, акумулатора или нараняване.

За да извадите акумулаторната батерия, приплъзнете я извън инструмента, плъзгайки същевременно бутона в предната част на батерията.

За да поставите акумулатора, изравнете езичето на акумулатора с жлеба в корпуса и го плъзнете на мястото му. Вмъкнете го докрай, докато ключалката го задържи на място с малко прищракване. В случай, че виждате червения индикатор в горната част на бутона, това означава, че той не е заключен напълно.

⚠ ВНИМАНИЕ:

- Винаги вмъквайте акумулатора докрай, така че червеният индикатор да се скрие. В противен случай, той може неволно да изпадне, което може да нарани вас или някого около вас.
- Не инсталирайте акумулатора със сила. Ако акумулаторът не се движи свободно, той не е бил поставен правилно.

Система за предпазване на батерията (литиево-йонна батерия, обозначена със звезда)

Фиг.2

Литиево-йонните батерии, обозначени със звезда са снабдени със система за предпазване. Тази система автоматично прекъсва захранването на инструмента за да осигури по-дълъг живот на батерията.

Инструментът ще спре автоматично по време на работа, ако инструментът и/или батерията са поставени при едно от следните условия:

- Претоварване:
Инструментът се използва по начин, който налага използването на наднормен ток.

В този случай плъзнете плъзгащия ключ на инструмента в положение "О (ИЗКЛ.)" и спрете обработката, която е предизвикала претоварването на инструмента. След това пак плъзнете плъзгащия ключ в положение "I (ВКЛ.)", за да го рестартирате.

Ако инструментът не стартира отново, акумулаторът е прегрял. В този случай оставете акумулатора за изстине, преди да преместите отново плъзгащия ключ в положение "I (ВКЛ.)".

- Ниско напрежение на батерията:
Оставащият в батерията капацитет е твърде малък, за да може да осигури работа на инструмента. При такъв случай, извадете и заредете батерията.

Защита от прегряване

Когато инструментата е претоварен и температурата на инструментата достигне определено ниво, инструментът автоматично спира. При такава ситуация оставете инструментата да се охлади, преди отново да го включите.

Включване

Фиг.3

⚠ ВНИМАНИЕ:

- Преди поставяне на акумулаторната батерия в инструментата, винаги проверявайте дали инструментът е изключен от ключа.

За да пуснете инструментата, преместете плъзгача в положение „I (ВКЛ.)“.

За да спрете инструментата, преместете плъзгача в положение „О (ВКЛ.)“.

Регулиране на работните оборотите

Фиг.4

Оборотите на работния ход могат да се регулират. За да промените оборотите на работния ход, завъртете дисковия превключвател между 1 и 6. Колкото по-голямо е избраното число, толкова по-високи са оборотите на работния ход. Поставете предварително дисковия превключвател на числото, подходящо за обработвания детайл.

ЗАБЕЛЕЖКА:

- Дисковият превключвател не може да се превключи директно от 1 на 6 или от 6 на 1. Прилагане на сила върху дисковия превключвател може да повреди инструментата. Когато променят посоката на дисковия превключвател, винаги превъртайте превключвателя през всяко междинно число.

Светлинен индикатор

Фиг.5

- Когато оставащият капацитет на акумулатора спадне, индикаторната лампа ще мига.

- Когато оставащият капацитет на акумулатора спадне още повече, инструментът ще спре по време на работа и индикаторната лампа ще свети около 10 секунди.

В този случай, извадете касетата с акумулаторите от инструмента и я заредете.

СГЛОБЯВАНЕ

⚠ВНИМАНИЕ:

- Преди да извършите някакви дейности по инструмента задължително проверете дали той е изключен и акумулаторната батерия е извадена.

Поставяне и сваляне на работно приложение (допълнителен аксесоар)

⚠ПРЕДУПРЕЖДЕНИЕ:

- Не поставяйте работно приложение в обрнатото положение. Поставяне на работно приложение в обрнато положение може да повреди инструмента и да причини тежко нараняване.
- Поставете работното приложение в правилната посока в зависимост от вашата работа. Работното приложение може да се монтира под ъгъл на всеки 30 градуса.

⚠ВНИМАНИЕ:

- Бъдете внимателни, когато затваряте блокиращото лостче. Блокиращото лостче може да се затвори внезапно и да защипе пръста ви.
 - Периодично почиствайте праха и смазвайте движещите се части на блокиращото лостче. В противен случай може да се натрупа прах по движещите се части на блокиращото лостче и да попречи на плавното му движение.
 - Не пускайте инструмента, докато лостчето е отворено. Инструментът може да се повреди.
1. Отворете блокиращото лостче докрай. Извадете задържащия болт.

Фиг.6

2. Поставете работно приложение (допълнителен аксесоар) върху фланеца на инструмента, така че издатините на фланеца на инструмента да съвпадат с отворите в работното приложение.

Фиг.7

3. Поставете задържащия болт, докато той не спре. След това върнете блокиращото лостче в първоначалната му позиция.

Фиг.8

Когато използвате работното приложение за шлайфване, монтирайте приложението върху шлайф подложка, така че да съвпадне с посоката на шлайф подложката. Шлайф подложката има система за монтаж тип „велкро“, което позволява бърз е лесен монтаж на шкурка. Тъй като шкурките имат отвори за извличане на праха, поставете шкурката така, че отворите по нея

да съвпадат с отворите в шлайф подложката.

За да свалите шкурката, вдигнете края ѝ и я отделете от подложката.

За да демонтирате задържащия болт, изпълнете процедурата за монтаж в обратен ред.

Фиг.9

Когато се използват работни приложения с различен тип монтажа секция, използвайте правилния адаптер (допълнителен аксесоар).

РАБОТА

⚠ПРЕДУПРЕЖДЕНИЕ:

- Преди да пуснете инструмента и по време на работа, дръжте ръката и лицето си далеч от работното приложение.

⚠ВНИМАНИЕ:

- Не прилагайте прекомерно натоварване върху инструмента, тъй като това може да причини блокиране на електромотора и инструментът да спре.

Рязане, срязване и подравняване

⚠ВНИМАНИЕ:

- Не движете инструмента с натиск по посоката (напр. към една от двете страни) на работно приложение без режещ край. Това може да повреди инструмента.

Фиг.10

Поставете работното приложение върху обработвания детайл.

А след това преместете инструмента напред, така че движението на работното приложение да не се забавя.

ЗАБЕЛЕЖКА:

- Принудителен или прекомерен натиск върху инструмента може да намали ефективността.
- Преди рязане се препоръчва да се зададе предварително положение 4 – 6 за оборотите на работния ход.
- Премахвайте стърготините с подходящ изсмукващ инструмент. Това увеличава ефикасността на работата.
- За рязане на дълга права линия се препоръчва дисков трион.

Шлайфване

⚠ВНИМАНИЕ:

- За шкурена на дърво не използвайте шкурка, използвана за шлайфване на метал.
- Не използвайте износена шкурка или шкурка без зърна.

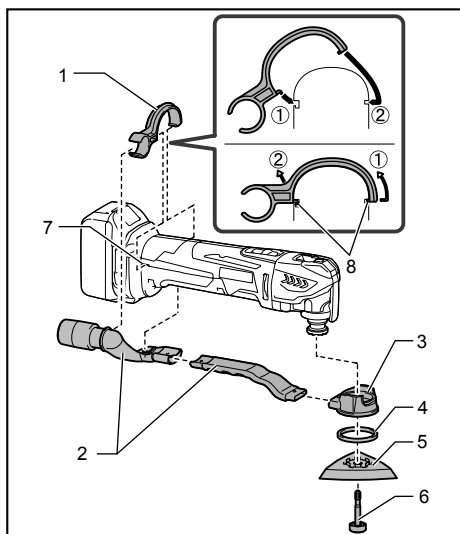
Фиг.11

Поставете шкурка върху обработвания детайл.

ЗАБЕЛЕЖКА:

- Препоръчва се използване на пробен образец от материала, за да се определят правилните обороти на работния ход, подходящи за работната дейност.
- Използвайте шкурка със същата зърнистост, докато не завърши шлайфането на целия работен детайл. Смяна на шкурка с шкурка с друга зърнистост може да попречи за фина политура.

Приложение за извличане на прах (допълнителен аксесоар)



1. Пръстен на дюзата
2. Щуцер за прах
3. Приложение за прах
4. Пръстен
5. Подложка
6. Задържащ болт
7. Отвори в инструмента
8. Стърчащи части на пръстена на дюзата

014561

- Монтирайте дюзите за прах и приставката за прах.
- Поставете пръстена на дюзата върху инструмента, така че неговите издатини да съвпадат с отворите в инструмента, за да се фиксира.
- Поставете пръстена и шлайф подложката върху приложението за прах и след това ги фиксирайте с монтажния болт на работното приложение.

Фиг.12

Когато искате да извършвате по-чиста работна операция, свържете прахосмукачка към инструмента. Свържете маркуча на прахосмукачката към приложението за извличане на прах (допълнителен аксесоар).

ПОДДРЪЖКА

⚠ВНИМАНИЕ:

- Преди да проверявате или извършвате поддръжка на инструмента се уверете, че той е изключен и акумулаторната батерия е извадена.
- Не използвайте бензин, нафта, разреждител, спирт и др. под. Това може да причини обезцветяване, деформация или пукнатини.

За да се поддържа БЕЗОПАСНОСТТА и НАДЕЖНОСТТА на инструмента, ремонтите, огледа и смяната на четките, обслужването и регулирането трябва да се извършват от упълномощен сервиз на Makita, като се използват резервни части от Makita.

ДОПЪЛНИТЕЛНИ АКСЕСОАРИ

⚠ВНИМАНИЕ:

- Препоръчва се използването на тези аксесоари или накрайници с вашия инструмент Makita, описан в настоящото ръководство. Използването на други аксесоари или накрайници може да доведе до опасност от телесни наранявания. Използвайте съответния аксесоар или накрайник само по предназначение.

Ако имате нужда от помощ за повече подробности относно тези аксесоари, се обърнете към местния сервизен център на Makita.

- Диамантен сегментен диск
- Кръгъл дисков трион
- Диск на дисков трион
- Скрепер (твърд)
- Скрепер (гъвкав)
- Защитно дисково покритие
- Приставка за изрязване на канали
- Приставка за премахване на твърди метали
- Сегментен диск за твърди метали
- Диск за твърди метали
- Диамантен сегментен диск
- Шлайф подложка
- Адаптер
- Делта шкурка (червен/бял/черен)
- Делта влакна (средни/груби/без зърнистост)
- Полираща делта шкурка
- Шестостенен ключ
- Приложение за извличане на прах
- Оригинална акумулаторна батерия и зарядно устройство на Makita

ЗАБЕЛЕЖКА:

- Някои артикули от списъка може да са включени в комплекта на инструмента, като стандартни аксесоари. Те може да са различни в различните държави.

Objašnjenje općeg pogleda

1-1. Gumb	4-1. Brojčanik	7-2. Rupe na aplikacijskom alatu
1-2. Crveni indikator	5-1. Indikacijska svjetiljka	7-3. Izbočite na obrubu alata
1-3. Baterija	6-1. Pridržni klin	9-1. Adapter
2-1. Zvezdasta oznaka	6-2. Poluga za blokadu	
3-1. Klizni prekidač(sklopka)	7-1. Pridržni klin	

SPECIFIKACIJE

Model		DTM41		DTM51	
Titraji u minuti		6.000 - 20.000 (min ⁻¹)			
Kut titranja, lijevo/desno		1,6 ° (ukupno 3,2 °)			
Standardna baterija		BL1430/ BL1440	BL1415 *	BL1830/ BL1840	BL1815 */ BL1815N *
Ukupna dužina		340 mm	326 mm	340 mm	326 mm
Neto masa	bez priključka za uklanjanje prašine	2,1 kg	2,0 kg	2,2 kg	2,0 kg
	s priključkom za uklanjanje prašine	2,2 kg	2,1 kg	2,3 kg	2,1 kg
Nazivni napon		DC 14,4 V		DC 18 V	

* NAPOMENA: Za stalni rad preporučuju se baterije visokog kapaciteta BL1430, BL1440, BL1830 i BL1840.

- Zahvaljujući stalnom programu istraživanja i razvoja, ovdje navedeni tehnički podaci su podložni promjeni bez prethodne najave.
- Tehnički podaci i baterija mogu se razlikovati ovisno o zemlji.
- Masa s baterijom prema EPTA postupku 01/2003

ENE080-1

Namjena

Alat je namijenjen za piljenje i rezanje drva, plastike, gipsa, obojenih metala i pričvrstnih elemenata (npr. nekaljenih čavala i spajalica). Također je namijenjen za obradu mekih zidnih pločica te suho pjeskarenje i struganje malih površina. Služi posebno za rad blizu ruba i ravno rezanje.

ENG905-1

Buka

Tipična jačina buke označena s A, određena sukladno EN60745:

Radni način: Pjeskarenje

Model DTM41

Razina zvučnog tlaka (L_{PA}): 76 dB (A)

Neodređenost (K): 3 dB (A)

Razina buke u radu smije prelaziti 80 dB (A).

Model DTM51

Razina zvučnog tlaka (L_{PA}): 77 dB (A)

Neodređenost (K): 3 dB (A)

Razina buke u radu smije prelaziti 80 dB (A).

Radni način: Rezanje listom pile za uranjajuće rezove

Model DTM41

Razina zvučnog tlaka (L_{PA}): 80 dB (A)

Razina zvučnog tlaka (L_{WA}): 91 dB (A)

Nesigurnost (K): 3 dB (A)

Model DTM51

Razina zvučnog tlaka (L_{PA}): 81 dB (A)

Razina zvučnog tlaka (L_{WA}): 92 dB (A)

Nesigurnost (K): 3 dB (A)

Radni način: Rezanje listom segmentirane pile

Model DTM41

Razina zvučnog tlaka (L_{PA}): 77 dB (A)

Neodređenost (K): 3 dB (A)

Razina buke u radu smije prelaziti 80 dB (A).

Model DTM51

Razina zvučnog tlaka (L_{PA}): 76 dB (A)

Neodređenost (K): 3 dB (A)

Razina buke u radu smije prelaziti 80 dB (A).

Radni način: Struganje

Model DTM41

Razina zvučnog tlaka (L_{PA}): 78 dB (A)

Neodređenost (K): 3 dB (A)

Razina buke u radu smije prelaziti 80 dB (A).

Model DTM51

Razina zvučnog tlaka (L_{PA}): 80 dB (A)

Razina zvučnog tlaka (L_{WA}): 91 dB (A)

Nesigurnost (K): 3 dB (A)

Nosite zaštitu za uši

ENG900-1

Vibracija

Ukupna vrijednost vibracija (troosni vektorski zbir) izračunata u skladu s EN60745:

Model DTM41

Radni način : pjeskarenje
Emisija vibracija (a_h): 3,0 m/s²
Nesigurnost (K): 1,5 m/s²

Model DTM51

Radni način : pjeskarenje
Emisija vibracija (a_h): 3,0 m/s²
Nesigurnost (K): 1,5 m/s²

Model DTM41

Radni način : rezanje listom pile za uranjajuće rezove
Emisija vibracija (a_h): 7,0 m/s²
Nesigurnost (K): 1,5 m/s²

Model DTM51

Radni način : rezanje listom pile za uranjajuće rezove
Emisija vibracija (a_h): 7,0 m/s²
Nesigurnost (K): 1,5 m/s²

Model DTM41

Radni način : rezanje listom segmentirane pile
Emisija vibracija (a_h): 4,5 m/s²
Nesigurnost (K): 1,5 m/s²

Model DTM51

Radni način : rezanje listom segmentirane pile
Emisija vibracija (a_h): 4,5 m/s²
Nesigurnost (K): 1,5 m/s²

Model DTM41

Radni način : struganje
Emisija vibracija (a_h): 5,0 m/s²
Nesigurnost (K): 1,5 m/s²

Model DTM51

Radni način : struganje
Emisija vibracija (a_h): 5,0 m/s²
Nesigurnost (K): 1,5 m/s²

ENG901-1

- Deklarirana vrijednost emisije vibracija je izmjerena sukladno standardnoj metodi testiranja i može se rabiti za usporedbu jednog alata s drugim.
- Deklarirana vrijednost emisije vibracija također se može rabiti za preliminarnu procjenu izloženosti.

⚠ UPOZORENJE:

- Emisija vibracija tijekom stvarnog korištenja električnog ručnog alata se može razlikovati od deklarirane vrijednosti emisije, ovisno o načinu na koji se alat rabi.
- Nemojte zaboraviti da identificate sigurnosne mjere zaštite rukovatelja koje se temelje na procjeni izloženosti u stvarnim uvjetima korištenja (uzimajući u obzir sve dijelove radnog ciklusa, poput vremena kada je alat isključen i kada on radi u praznom hodu, a također i vrijeme okidanja).

ENH101-17

Samo za europske zemlje

EZ Izjava o sukladnosti

Tvrtka Makita izjavljuje da su sljedeći strojevi:

Naziv stroja:

Baterijski alat

Broj modela/Vrsta: DTM41, DTM51

Usklađeni sa sljedećim europskim smjernicama:
2006/42/EZ

Proizvedeni su u skladu sa sljedećim standardima ili standardiziranim dokumentima:

EN60745

Tehnička datoteka u skladu s 2006/42/EZ dostupna je na sljedećoj adresi:

Makita, Jan-Baptist Vinkstraat 2, 3070, Belgija

18.7.2013



000331

Yasushi Fukaya

Direktor

Makita, Jan-Baptist Vinkstraat 2, 3070, Belgium

GEA010-1

Opća sigurnosna upozorenja za električne ručne alate

⚠ UPOZORENJE Pročitajte sva sigurnosna upozorenja i sve upute. Nepridržavanje upozorenja ili uputa može rezultirati električnim udarom, požarom i/ili ozbiljnom ozljedom.

Sačuvajte sva upozorenja i upute radi kasnijeg korištenja.

SIGURNOSNE NAPOMENE ZA BATERIJSKE ALATE

1. Ovaj električni ručni alat namijenjen je za piljenje, rezanje, brušenje i pjeskarenje. Pročitajte sva sigurnosna upozorenja, upute, ilustracije i specifikacije isporučene s ovim ručnim alatom. Nepridržavanje svih uputa navedenih u nastavku može dovesti do električnog udara, požara i/ili ozbiljne ozljede.
2. Držite električni ručni alat za izolirane rukohvatne površine kada izvodite operaciju pri kojoj rezni dodatak može doći u dodir sa skrivenim vodičima. Rezni dodatak koji dođe u dodir s vodičem pod naponom može dovesti pod napon izložene metalne dijelove električnog ručnog alata i prouzročiti električni udar rukovatelja.
3. Koristite stezaljke ili drugi praktičan način da osigurate i učvrstite izradak na stabilnoj platformi. Držanje izratka rukom ili uz tijelo čini ga nestabilnim i može dovesti do gubitka kontrole.
4. Uvijek koristite zaštitne naočale. Obične ili sunčane naočale NISU zaštitne naočale.
5. Izbjegavajte rezanje čavala. Prije rada provjerite ima li u izratku bilo kakvih čavala i uklonite ih prije rada.
6. Alat držite čvrsto.
7. Uvjerite se da aplikacijski alat prije uključivanja nije u dodiru s izratkom.
8. Držite ruke podalje od dijelova koji se kreću.
9. Ne ostavljajte alat da radi. Radite s alatom samo tako što ga držite rukom.
10. Prije uklanjanja lista iz izratka uvijek isključite i pričekajte da se nož u potpunosti zaustavi.
11. Ne dodirujte aplikacijski alat ili izradak odmah nakon rada; mogu biti izuzetno vrući te bi vam mogli opeći kožu.
12. Ne ostavljajte alat da radi bez opterećenja, ako to nije potrebno.
13. Uvijek koristite ispravnu masku za prašinu/respirator za materijal s kojim radite i namjenu.
14. Neki materijal sadrži kemikalije koje mogu biti toksične. Poduzmite potrebne mjere opreza da bi se spriječilo udisanje prašine i dodir s kožom. Slijedite sigurnosne podatke od dobavljača materijala.
15. Ovaj alat nije vodootporan pa zato ne koristite vodu na površini izratka.
16. Dovoljno prozračite radno područje kada izvodite brusne operacije.
17. Korištenjem ovog alata za brušenje proizvode kojih bi boja i drvo mogli korisnika izložiti prašini koja sadrži opasne tvari. Koristiti odgovarajuću zaštitu za disanje.
18. Provjerite da na jastuk nema pukotina i procjepa prije uporabe. Pukotine ili procjepi mogu uzrokovati ozljede.
19. Nemojte rabiti dodatke koji nisu izričito konstruirani i preporučeni od strane proizvođača alata. Samo zato što se dodatak može montirati na Vaš električni ručni alat ne znači da je obezbijeđen siguran rad.
20. Nosite osobnu zaštitnu opremu. Ovisno o primjeni, koristite štitnik za lice, zaštitu za oči ili zaštitne naočale. Ako je potrebno, nosite masku za prašinu, zaštitu za uši, rukavice i radioničku pregaču koja može zaustaviti male abrazivne djeljice ili djeljice izratka. Zaštita za oči mora zaustaviti leteće krhotine nastale uslijed raznih operacija. Maska za prašinu ili respirator mora filtrirati čestice stvorene vašim radom. Dulja izloženost jakoj buci može prouzročiti gubitak sluha.
21. Držite promatrače na sigurnoj udaljenosti od radnog područja. Svako tko uđe u radno područje mora nositi osobnu zaštitnu opremu. Djeljici izratka ili polomljenog dodatka mogu odletjeti i prouzročiti ozljede izvan neposrednog područja u kojem se radi.
22. Nikada ne spuštajte električni ručni alat sve dok se dodatak potpuno ne zaustavi. Rotirajući dodatak može zahvatiti površinu i električni ručni alat se može otet Vašoj kontroli.
23. Nemojte uključivati električni ručni alat dok ga nosite pored sebe. Slučajni dodir s dodatkom može vam zahvatiti odjeću i povući dodatak prema tijelu.
24. Ne radite s električnim ručnim alatom u blizini zapaljivih materijala. Iskre mogu zapaliti ove materijale.
25. Ne rabite dodatke koji zahtijevaju rashladne tekućine. Korištenje vode ili drugih rashladnih tekućina može rezultirati smrću ili šokom uslijed strujnog udara.
26. Prije bilo kakvih radova na alatu, uvijek provjerite je li alat isključen ili izvučen iz struje i je li baterijski uložak izvađen.
27. Uvijek stanite na čvrstu podlogu. Pazite da nitko ne stoji ispod vas kad koristite uređaj na visini.

ČUVAJTE OVE UPUTE.

⚠UPOZORENJE:

NEMOJTE dozvoliti da udobnost ili znanje o proizvodu (stečeno stalnim korištenjem) zamijene strogo pridržavanje sigurnosnih propisa za određeni proizvod. ZLOPORABA ili nepridržavanje sigurnosnih propisa navedenih u ovom priručniku s uputama mogu prouzročiti ozbiljne ozljede.

VAŽNE SIGURNOSNE UPUTE

ZA BATERIJU

1. Prije uporabe baterije pročitajte sve upute i oznake upozorenja na (1) punjaču za baterije, (2) bateriji i (3) proizvodu koji koristi bateriju.
2. Ne rastavljajte bateriju.
3. Ako se vrijeme rada znatno skratilo, odmah prestanite raditi. Može postojati rizik od pregrijavanja, mogućih opekлина, a čak i eksplozije.
4. Ako vam elektrolit dospije u oči, isperite ih bistrom vodom i odmah se obratite liječniku. Tako možete izgubiti vid.
5. Ne spajajte kratko bateriju:
 - (1) Ne dodirujte terminale nikakvim provodljivim materijalima.
 - (2) Ne čuvajte bateriju u spremniku s drugim metalnim predmetima poput čavala, kovanica itd.
 - (3) Ne izlažite bateriju vodi ili kiši.
 Kratki spoj baterije može uzrokovati velik protok struje, pregrijavanje, moguće opekline, a čak i kvar.
6. Ne čuvajte alat i bateriju na mjestima gdje temperatura može prekoračiti 50 ° C (122 ° F).
7. Ne spaljujte bateriju čak ni ako je ozbiljno oštećena ili potpuno potrošena. Baterija može eksplodirati na vatri.
8. Pazite da vam baterija ne ispadne ili da je ne udarite.
9. Ne koristite oštećene baterije.
10. Pridržavajte se lokalnih propisa pri odlaganju baterije.

ČUVAJTE OVE UPUTE.

Savjeti za održavanje najduljeg vijeka trajanja baterije

1. Napunite bateriju prije nego što se potpuno isprazni. Uvijek zaustavite alat i napunite bateriju kad primijetite da alat slabije radi.
2. Nikad ne puniti potpuno punu bateriju. Prepunjenje skraćuje radni vijek baterije.
3. Puniti bateriju na sobnoj temperaturi od 10 ° C - 40 ° C (50 ° F - 104 ° F). Ostavite da se vruća baterija ohladi prije punjenja.
4. Puniti bateriju svakih šest mjeseci ako je ne dugo ne koristite.

FUNKCIONALNI OPIS

⚠UPOZORENJE:

- Prije podešavanja ili provjere funkcije alata obavezno isključite alat i uklonite bateriju. Ako ne isključite alat i ne uklonite bateriju, može doći do ozbiljne tjelesne ozljede zbog slučajnog pokretanja.

Instalacija ili uklanjanje baterije

SI.1

⚠OPREZ:

- Uvijek isključite alat prije instalacije ili uklanjanja baterije.
- Čvrsto držite alat i bateriju dok instalirate ili uklanjate bateriju. Ako ne držite čvrsto alat i bateriju, mogu vam iskliznuti uz ruku, što može uzrokovati štetu alata ili baterije i ozljede.

Za uklanjanje baterije, gurnite je iz alata, pritiskom tipke na prednjoj strani uloška.

Za instalaciju baterije poravnajte jezičac na bateriji s utorom na kućištu i gurnite ga na mjesto. Gurajte ga do kraja dok ne sjedne na mjesto uz mali klik. Ako možete vidjeti crveni indikator na gornjoj strani tipke, to znači da baterija nije zaključana u potpunosti.

⚠OPREZ:

- Uvijek instalirajte bateriju dok kraja tako da ne možete vidjeti crveni indikator. U suprotnom može slučajno ispasti iz alata, što može dovesti do ozljede vas ili nekog u blizini.
- Ne instalirajte bateriju silom. Ako baterija ne klizne lagano, znači da nije ispravno umetnuta.

Sustav zaštite baterije (litij-ionska baterija sa zvjezdicom)

SI.2

Litij-ionske baterije sa zvjezdicom opremljene su sustavom zaštite. Ovaj sustav automatski prekida napajanje alata da bi produžio vijek trajanja baterije.

Alat automatski prestaje raditi ako se alat i / ili baterija nađu u sljedećim uvjetima:

- Pod opterećenjem:
 - Alat radi na način koji uzrokuje abnormalno visoku struju.
 - U tom slučaju pomaknite klizni prekidač na alatu prema „O (OFF)“ (Isključeno) položaju i zaustavite primjenu koja je uzrokovala preopterećenje alata. Zatim ponovno pomaknite klizni prekidač prema „I (ON)“ (Uključeno) položaju za ponovno pokretanje.
 - Ako se alat ne pokrene, baterija se pregrijala. U tom slučaju pričekajte dok se baterija ohladi prije ponovnog pomicanja kliznog prekidača prema „I (ON)“ (Uključeno) položaju.

- Slab napon baterije:
Preostali kapacitet baterije je prenizak i alat neće raditi. U ovoj situaciji, uklonite i napunite akumulator.

Zaštita od pregrijavanja

Kad je alat preopterećen i kad temperatura alata dosegne određenu razinu, alat se automatski zaustavi. U toj situaciji pričekajte da se alat ohladi prije ponovnog uključivanja alata.

Uključivanje i isključivanje

SI.3

⚠OPREZ:

- Prije postavljanja baterije u alat uvijek provjerite je li alat isključen.

Za pokretanje alata pomaknite klizni prekidač prema položaju „I (ON)” (Uključeno).

Za zaustavljanje alata pomaknite klizni prekidač prema položaju „O (OFF)” (Isključeno).

Podešavanje stope okretnog zamaha

SI.4

Stopa okretnog zamaha može se podesiti. Za promjenu stope okretnog zamaha okrenite brojčanik od 1 do 6. Što je veći broj, to je veća stopa okretnog zamaha. Postavite brojčanik na broj koji odgovara predmetu na kojem radite.

NAPOMENA:

- Brojčanik se ne može izravno okrenuti s 1 na 6 ili sa 6 na 1. Prisilnim okretanjem brojčanika može se oštetiti alat. Kad mijenjate smjer brojčanika, uvijek okrećite brojčanik tako da ga pomaknete preko svakog međubroja.

Žaruljica indikatora

SI.5

- Kad je preostali kapacitet baterije nizak, treperi lampica indikatora.
- Kad je preostali kapacitet baterije mnogo niži, alat se isključuje tijekom rada i lampica indikatora svijetli otprilike 10 sekundi.

U tom slučaju izvadite bateriju iz alata i promijenite je.

MONTAŽA

⚠OPREZ:

- Obavezno provjerite je li stroj isključen i baterija uklonjena prije nego što izvedete bilo kakav rad na alatu.

Instalacija ili uklanjanje aplikacijskog alata (dodatni pribor)

⚠UPOZORENJE:

- Ne instalirajte aplikacijski alat u obrnutom položaju. Instalacija aplikacijskog alata u obrnutom položaju može oštetiti alat i nanijeti ozbiljne ozljede.

- Instalirajte priključni alat u ispravnom smjeru ovisno o radu. Aplikacijski alat može se instalirati pod kutom od svakih 30 stupnjeva.

⚠OPREZ:

- Pazite prilikom zatvaranja poluge za blokadu. Poluga za blokadu može se iznenada zatvoriti i pričepiti vam prst.
- S vremena na vrijeme očistite prašinu i podmažite pomični dio poluge za blokadu. U protivnom se prašina može nakupiti u pomičnom dijelu poluge za blokadu i otežati pokretanje.
- Ne pokrećite alat dok se otvara poluga. Alat se može oštetiti.
 1. Potpuno otvorite polugu za blokadu. Zatim uklonite pridržni klin.

SI.6

2. Stavite aplikacijski alat (dodatni pribor) na obod alata tako da izbočine na obodu alata uđu u rupe na aplikacijskom alatu.

SI.7

3. Umetnite pridržni klin dok se ne zaustavi. Zatim vratite polugu za blokadu u početni položaj.

SI.8

Prilikom upotrebe aplikacijskog alata za pjeskarenje montirajte aplikacijski aparat na podložak za pjeskarenje tako da bude okrenut u istom smjeru kao i podložak.

Podložak za pjeskarenje ima sustav za namještanje na čičak koji omogućuje brzo i jednostavno namještanje papira za pjeskarenje.

Budući da papir za pjeskarenje ima rupe za uklanjanje prašine, montirajte papir tako da njegove rupe odgovaraju rupama na podlošku za pjeskarenje.

Da biste uklonili papir za pjeskarenje, podignite mu kraj i odlijepite ga.

Da biste uklonili pridržni klin, izvršite postupak instalacije obrnutim redoslijedom.

SI.9

Ako koristite aplikacijske alate s drugom vrstom dijela za instalaciju, upotrijebite ispravni adapter (dodatni pribor).

RAD SA STROJEM

⚠UPOZORENJE:

- Prije nego što pokrenete alat i tijekom cijelog rada držite rupe i lice podalje od aplikacijskog alata.

⚠OPREZ:

- Ne opterećujte previše alat jer se tako motor može zablokirati i zaustaviti alat.

Rezanje, piljenje i struganje

⚠OPREZ:

- Ne pomičite silom alat u smjeru (npr. prema bilo kojoj bočnoj strani) primjene alata bez rezne oštrice. To može oštetiti alat.

SI.10

Stavite aplikacijski alat na izradak.

Zatim pomaknite alat unaprijed tako da se ne uspori kretanje aplikacijskog alata.

NAPOMENA:

- Upotreba slike ili pretjerani pritisak na alat mogu smanjiti učinkovitost.
- Preporučujemo da prije rezanja postavite stopu okretnog zamaha na 4 do 6.
- Uklonite piljevinu prikladnim izvlačenjem alata. Tako se poboljšava radna učinkovitost.
- Kružna se pila preporučuje za rezanje dugih ravnih linija.

Pjeskarenje

⚠OPREZ:

- Ako ste papir za pjeskarenje koristili za pjeskarenje metala, ne koristite ga i za drvo.
- Ne koristite papir za pjeskarenje koji je istrošen ili bez granulacije.

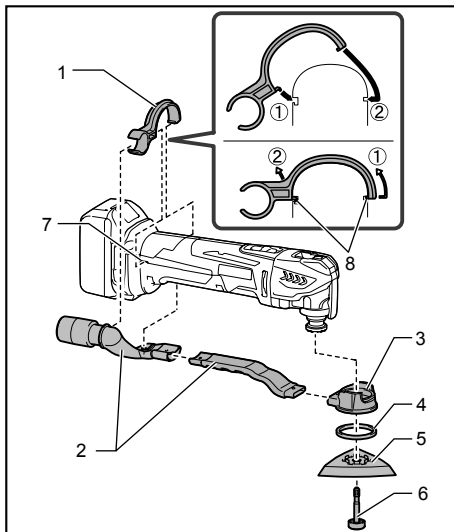
SI.11

Stavite papir za pjeskarenje na izradak.

NAPOMENA:

- Preporučujemo da upotrijebite testni uzorak materijala kako biste utvrdili koja je stopa okretnog zamaha primjerena za vaš rad.
- Koristite papir za pjeskarenje iste granulacije dok ne ispjeskarite cijeli izradak. Ako papir za pjeskarenje zamijenite papirom druge granulacije, možda nećete dobiti fini završetak.

Priključak za uklanjanje prašine (dodatni pribor)



1. Pojas za mlaznicu
2. Mlaznica prašine
3. Priključak za prašinu
4. Pusteni prsten
5. Podloga
6. Pridržni klin
7. Rupe na alatu
8. Izbočenja na pojasu za mlaznicu

014561

- Postavite mlaznice za prašinu i priključak za prašinu.
- Instalirajte pojas za mlaznicu na alat tako da izbočenja uđu u rupe na alatu i učvrstite pojas.
- Stavite pusteni prsten i podložak za pjeskarenje na priključak za prašinu, a zatim ih učvrstite instalacijskim klinom aplikacijskog alata.

SI.12

Ako želite čišći rad, na alat priključite usisivač. Priključite crijevo usisivača na priključak za uklanjanje prašine (dodatni pribor).

ODRŽAVANJE

⚠OPREZ:

- Prije svih zahvata na stroju provjerite jeste li isključili stroj i uklonili bateriju.
- Nikada nemojte koristiti benzin, mješavinu benzina, razrjeđivač, alkohol ili slično. Kao rezultat toga može se izgubiti boja, pojaviti deformacija ili pukotine.

Da biste zadržali SIGURNOST I POUZDANOST proizvoda, opravke, provjeru i zamjenu ugljenih četkica, održavanje ili namještanje morate prepustiti ovlaštenim Makita servisnim centrima, uvijek rabeći originalne rezervne dijelove.

DODATNI PRIBOR

OPREZ:

- Ovaj dodatni pribor ili priključci se preporučuju samo za uporabu sa Vašim Makita strojem preciziranim u ovom priručniku. Uporaba bilo kojih drugih pribora ili priključaka može donijeti opasnost od ozljeda. Rabite dodatak ili priključak samo za njegovu navedenu namjenu.

Ako Vam je potrebna pomoć za više detalja u pogledu ovih dodatnih pribora, obratite se najbližem Makita servisnom centru.

- List segmentiranje pile
- List kružne pile
- List pile za uranjajuće rezove
- Strugalo (kruto)
- Strugalo (fleksibilno)
- Nazubljeni segmentirani list
- Opći rezač fuga
- HM uklanjač
- HM list segmentirane pile
- HM ploča za pjeskarenje
- Dijamantni segmentirani list pile
- Podložak za pjeskarenje
- Adapter
- Abrazivni papir delta (crveni / bijeli / crni)
- Flis delta (srednji / grubi / bez granulacije)
- Pust za poliranje delta
- Imbus ključ
- Dodatak za vađenje prašine
- Izvorna Makita baterija i punjač

NAPOMENA:

- Neke stavke iz popisa se mogu isporučiti zajedno sa strojem kao standardni dodatni pribori. Oni mogu biti različiti ovisno o zemlji.

МАКЕДОНСКИ (Оригинални упатства)

Опис на оштиот преглед

1-1. Копче	4-1. Бирач	7-2. Дупчиња во приклучниот алат
1-2. Црвен индикатор	5-1. Индикаторска ламбичка	7-3. Испакнати делови на фланшата на алатот
1-3. Батерија	6-1. Завртка за прицврстување	9-1. Адаптер
2-1. Ознака со ѕвезда	6-2. Рачка за блокирање	
3-1. Клизен прекинувач	7-1. Завртка за прицврстување	

ТЕХНИЧКИ ПОДАТОЦИ

Модел		DTM41		DTM51	
Осцилации во минута		6.000 - 20.000 (мин. ⁻¹)			
Агол на осцилирање, лев/десен		1,6 ° (3,2 ° вкупно)			
Стандардна батерија		BL1430/ BL1440	BL1415 *	BL1830/ BL1840	BL1815 */ BL1815N *
Вкупна должина		340 мм	326 мм	340 мм	326 мм
Нето тежина	без приклучок за отстранување прашина	2,1 кг	2,0 кг	2,2 кг	2,0 кг
	со приклучок за отстранување прашина	2,2 кг	2,1 кг	2,3 кг	2,1 кг
Номинален напон		D.C. 14,4 V		D.C. 18 V	

* НАПОМЕНА: За континуирано работење, се препорачува батерија со висок капацитет BL1430, BL1440, BL1830 и BL1840.

• Поради постојаното истражување и развој, техничките податоци дадени тука може да се менуваат без известување.

• Спецификациите и батеријата може да се разликуваат од земја до земја.

• Тежина со батерија според EPTA-Procedure 01/2003

ENE080-1

Намена

Алатот е наменет за пилење и сечење дрво, пластика, гипс, метали што не содржат железо и спојни елементи (на пример: шајки и спојни елементи од конструктивен челик). Исто така, наменет е за работа на меки сидни плочки, како и суво брусење и стругање мали површини. Особено е погоден за работење блиску до рабови и сечење со рамна подлога.

ENG905-1

Бучава

Типичната А-вредност за ниво на бучавата одредена според EN60745 изнесува:

Работен режим: Брусење

Модел DTM41

Ниво на звучниот притисок (L_{pA}): 76 дБ (А)

Отстапување (К): 3 дБ (А)

Нивото на бучава при работа може да надмине 80 дБ (А).

Модел DTM51

Ниво на звучниот притисок (L_{pA}): 77 дБ (А)

Отстапување (К): 3 дБ (А)

Нивото на бучава при работа може да надмине 80 дБ (А).

Работен режим: Сечење со пила со праволиниско движење

Модел DTM41

Ниво на звучниот притисок (L_{pA}): 80 дБ (А)

Ниво на звучна моќност (L_{WA}): 91 дБ (А)

Отстапување (К): 3 дБ (А)

Модел DTM51

Ниво на звучниот притисок (L_{pA}): 81 дБ (А)

Ниво на звучна моќност (L_{WA}): 92 дБ (А)

Отстапување (К): 3 дБ (А)

Работен режим: Сечење со сегментирано сечилот

Модел DTM41

Ниво на звучниот притисок (L_{pA}): 77 дБ (А)

Отстапување (К): 3 дБ (А)

Нивото на бучава при работа може да надмине 80 дБ (А).

Модел DTM51

Ниво на звучниот притисок (L_{pA}): 76 дБ (А)

Отстапување (К): 3 дБ (А)

Нивото на бучава при работа може да надмине 80 дБ (А).

Работен режим: Стругање

Модел DTM41

Ниво на звучниот притисок (L_{pA}): 78 дБ (А)

Отстапување (К): 3 дБ (А)

Нивото на бучава при работа може да надмине 80 дБ (А).

Модел DTM51

Ниво на звучниот притисок (L_{pA}): 80 дБ (А)

Ниво на звучна моќност (L_{WA}): 91 дБ (А)

Отстапување (К): 3 дБ (А)

Носете штитници за ушите

ENG900-1

Вибрации

Вкупна вредност на вибрациите (векторска сума на три оски) одредена според EN60745:

Модел DTM41

Работен режим : брусење

Јачина на вибрации (a_{h1}): 3,0 m/s^2

Отстапување (К): 1,5 m/s^2

Модел DTM51

Работен режим : брусење

Јачина на вибрации (a_{h1}): 3,0 m/s^2

Отстапување (К): 1,5 m/s^2

Модел DTM41

Работен режим : сечење со пила со праволиниско движење

Јачина на вибрации (a_{h1}): 7,0 m/s^2

Отстапување (К): 1,5 m/s^2

Модел DTM51

Работен режим : сечење со пила со праволиниско движење

Јачина на вибрации (a_{h1}): 7,0 m/s^2

Отстапување (К): 1,5 m/s^2

Модел DTM41

Работен режим : сечење со сегментирана пила

Јачина на вибрации (a_{h1}): 4,5 m/s^2

Отстапување (К): 1,5 m/s^2

Модел DTM51

Работен режим : сечење со сегментирана пила

Јачина на вибрации (a_{h1}): 4,5 m/s^2

Отстапување (К): 1,5 m/s^2

Модел DTM41

Работен режим : стругање

Јачина на вибрации (a_{h1}): 5,0 m/s^2

Отстапување (К): 1,5 m/s^2

Модел DTM51

Работен режим : стругање

Јачина на вибрации (a_{h1}): 5,5 m/s^2

Отстапување (К): 1,5 m/s^2

ENG900-1

- Номиналната јачина на вибрациите е измерена во согласност со стандардните методи за испитување и може да се користи за споредување на алати.
- Номиналната јачина на вибрациите може да се користи и како прелиминарна проценка за изложеност.

ПРЕДУПРЕДУВАЊЕ:

- Јачината на вибрациите при фактичкото користење на алатот може да се разликува од номиналната вредност, зависно од начинот на којшто се користи алатот.
- Погрижете се да ги утврдите безбедносните мерки за заштита на операторот врз основа на проценка на изложеноста при фактичките услови на употреба (земајќи ги предвид сите делови на работниот циклус, како периодите кога алатот е исклучен и кога работи во празен од, не само кога е активен).

ENH101-17

Само за земјите во Европа

Декларација за сообразност за ЕУ

Makita изјавува дека следната машина(и):

Ознака на машината:

Безжичен мулти-алат

Модел бр./ Тип: DTM41, DTM51

Усогласени се со следниве европски Директиви:
2006/42/EC

Тие се произведени во согласност со следниве стандарди или стандардизирани документи:

EN60745

Техничкото досие во согласност со 2006/42/EC е достапно преку:

Makita, Jan-Baptist Vinkstraat 2, 3070, Belgium

18.7.2013



000331

Yasushi Fukaya

Директор

Makita, Jan-Baptist Vinkstraat 2, 3070, Belgium

Општи упатства за безбедност за електричните алати

⚠ ПРЕДУПРЕДУВАЊЕ Прочитајте ги сите безбедносни предупредувања и сите упатства. Ако не се почитуваат предупредувањата и упатствата, може да дојде до струен удар, пожар или тешки повреди.

Чувајте ги сите предупредувања и упатства за да можете повторно да ги прочитате.

GEB094-2

БЕЗБЕДНОСНИ ПРЕДУПРЕДУВАЊА ЗА БЕЗЖИЧНИОТ МУЛТИ-АЛАТ

1. Овој електричен алат е наменет за изведување работи за пилење, сечење, брусење и полирање. Прочитајте ги сите безбедносни предупредувања, упатства, илустрации и спецификации дадени со овој електричен алат. Ако не се почитуваат сите упатства наведени подолу, може да дојде до струен удар, пожар и/или тешки повреди.
2. Држете го алатот само за изолираните држачи кога вршите работи кога додатокот за сечење може да дојде во допир со скриени жици. Додаток за сечење што ќе допре жица под напон може да ја пренесе струјата до металните делови на алатот и да предизвика струен удар на операторот.
3. Користете стеги или друг практичен начин за да го зацврстите и потпрете материјалот на стабилна платформа. Ако го држите материјалот со рака или го навалувате на телото, ќе биде нестабилен и може да доведе до губење контрола.
4. Секогаш користете очила или заштитни очила. Обични очила или очила за сонце НЕ СЕ заштитни очила.
5. Избегнувајте сечење шајки. Проверете дали материјалот има шајки и отстранете ги пред да почнете да работите.
6. Држете го алатот цврсто.
7. Осигурете се приклучниот алат да не е во допир со работниот материјал пред да го вклучите.
8. Држете ги рацете подалеку од подвижните делови.
9. Не оставајте го алатот вклучен. Работете со алатот само кога го држите в раце.
10. Секогаш исклучувајте го електричниот алат и чекајте сосем да сопне ножот, пред да го тргнете ножот од материјалот.
11. Не допирајте ги приклучниот алат или работниот материјал веднаш по работата; тие може да бидат многу жешки и да ви ја изгорат кожата.
12. Не работете со алатот без оптоварување кога тоа не е неопходно.
13. Секогаш користете ги соодветните маска за прав / респиратор за материјалот кој го користите за одредена примена.
14. Некои материјали содржат хемикалии што можат да бидат отровни. Избегнувајте вдишување на прашина и избегнувајте контакт на прашина со кожата. Следете ги упатствата од производителот на материјалот.
15. Овој алат не е водоотпорен, затоа не користете вода на површината на работниот материјал.
16. Кога шмирглате, проветрувајте ја Вашата работна просторија соодветно.
17. Кога електричниот алат го користите за шмирглање на некои производи, бои и дрво, лицето кое го користи може да биде изложено на прав кој содржи опасни состојки. Користете соодветна заштита за дишење.
18. Проверете дали основата е пукната или скршена. Тоа може да доведе до физичка повреда.
19. Не користете додатоци што не се посебно одредени и препорачани од производителот на алатот. Тоа што некој додаток може да се монтира на алатот не значи дека работата со него ќе биде безбедна.
20. Носете опрема за лична заштита. Зависно од примената, користете заштита за лицето, безбедносни затемнети очила или заштитни очила. Зависно од работата, носете маска за прашина, ракавици и работна престилка што може да сопне мали отпадоци од брусење или стругање. Заштитата за очи треба да сопира разлетан отпад произведен од работата. Маската за прашина или респираторот треба да можат да ги филтрираат честичките што ги произведува вашата работа. Подолга изложеност на голема бучава може да предизвика оштетување на слухот.
21. Присутните лица треба да се на безбедна оддалеченост од работното подрачје. Секој што влегува во работното подрачје треба да носи заштитна опрема. Парчиња од обработуваниот материјал или од скршен додаток може да одлетаат и да предизвикаат повреди надвор од непосредното работно подрачје.
22. Не одложувајте го алатот додека додатокот не сопне сосема. Вртливиот додаток може да ја зафати површината и да го извлече алатот од контрола.

23. Алатот не смее да е вклучен додека го пренесувате. Случаен допир со вртливиот додаток може да ви ја зафати облеката и да ве повреди.
24. Не ракувајте со алатот близу до запаливи материјали. Искрите може да предизвикаат пожар.
25. Не користете додатоци за коишто се потребни течности за ладење. Користењето вода или друга течност за ладење може да предизвика струен удар.
26. Секогаш внимавајте алатот да е исклучен и откачен од мрежата или дека батеријата е извадена пред да работите нешто на алатот.
27. Секогаш стојте на цврста подлога. Уверете се дека под Вас нема никој кога го користите алатот на високи места.

ЧУВАЈТЕ ГО УПАТСТВОТО.

⚠ ПРЕДУПРЕДУВАЊЕ:

НЕ ДОЗВОЛУВАЈТЕ удобноста или запознаеноста со производот (стекната со подолга употреба) да ве наведе да не се придржувате строго до безбедносните правила за односниот производ. ЗЛОУПОТРЕБАТА или непочитувањето на безбедносните правила наведени во ова упатство може да предизвикаат тешки телесни повреди.

ENC007-8

ВАЖНИ БЕЗБЕДНОСНИ УПАТСТВА

ЗА БАТЕРИЈА

1. Пред користење на батеријата, прочитајте ги сите упатства и ознаки за претпазливост на (1) полначот за батеријата, (2) батеријата и (3) производот што ја користи батеријата.
2. Не расклопувајте ја батеријата.
3. Ако времето во работа станало прекумерно кратко, престанете веднаш со работа. Тоа може да резултира со ризик од презагревање, можни изгореници и дури и експлозија.
4. Ако електролит навлезе во вашите очи, измијте ги со чиста вода и побарајте медицинска нега веднаш. Тоа може да резултира со губење на вашиот вид.
5. Не расклопувајте ја касетата за батеријата.
 - (1) Не допирајте ги контактите со никаков проводлив материјал.
 - (2) Избегнувајте да ја чувате батерија во сад со други метални предмети како што се шајки, монети и сл.
 - (3) На изложувајте ја батеријата на вода или дожд.

Краткиот спој на батеријата може да предизвика голем проток на електрична енергија, презагревање, можни изгореници и дури и пад на напојувањето.

6. Не складирајте ги алатот и батеријата на места каде температурата може да достигне или надминува 50 ° C (122 ° F).
7. Не спалувајте ја батеријата дури и кога е многу оштетена или целосно потрошена. Батеријата може да експлодира ако се стави во оган.
8. Внимавајте да не ја испуштите или удриите батеријата.
9. Не користете оштетена батерија.
10. Почитувајте ги локалните законски прописи што се однесуваат на фрлање во отпад на батеријата.

ЧУВАЈТЕ ГО УПАТСТВОТО.

Совети за одржување максимален работен век на батеријата

1. Заменете ја батеријата пред целосно да се испразни. Секогаш запирајте ја работата со алатот и заменете ја батеријата кога ќе забележите дека алатот дава помала моќност.
2. Никогаш немојте да полните целосно полна батерија. Прекумерното полнење го скратува работниот век на батеријата.
3. Полнете ја батеријата на собна температура од 10 ° C - 40 ° C (50 ° F - 104 ° F). Дозволете загреаната батерија да се олади пред да ја ставите на полнење.
4. Полнете ја батеријата еднаш секои шест месеци ако не ја користите подолг временски период.

ОПИС НА ФУНКЦИИТЕ

⚠ ПРЕДУПРЕДУВАЊЕ:

- Секогаш осигурувајте се алатот да е исклучен и батеријата да е извадена пред да ја прилагодувате или проверувате функцијата на алатот. Ако не го исклучите алатот и ако не ја извадите батеријата, може да дојде до тешки телесни повреди заради случајно стартување.

Монтирање или отстранување на батеријата

Слика 1

⚠ ВНИМАНИЕ:

- Секогаш исклучувајте го алатот пред ставањето или вадењето на батеријата.
- **Држете ги алатот и батеријата цврсто кога ја монтирате или отстранувате батеријата.** Доколку не ги држите цврсто алатот и батеријата, тоа може да доведе до нивно лизнување од вашите раце и да резултира со оштетување на алатот и на батеријата, како и со телесни повреди.

За да ја извадите батеријата, повлечете ја од алатот додека го лизгате копчето на предната страна на батеријата.

За да ја монтирате батеријата, порамнете го јазичето на батеријата со жлебот во куќиштето и турнете ја да застане во место. Вметнете ја до крај додека не се заклучи во место при што ќе се слушне мало кликување. Ако можете да го видите црвениот индикатор на горната страна од копчето, тоа значи дека не е заклучена целосно во место.

⚠ ВНИМАНИЕ:

- Секогаш монтирајте ја батеријата целосно додека црвениот индикатор не се изгасне. Во спротивно, може случајно да испадне од алатот, со тоа предизвикувајќи повреда вам или некому околу вас.
- Немојте да ја монтирате батеријата на сила. Ако батеријата не може да се лизне лесно, тоа значи дека не е поставена правилно.

Систем за заштита на батеријата (литиум-јонска батерија со ознака на ѕвезда)

Слика 2

Литиум-јонските батерии со ознака на ѕвезда се опремени со заштитен систем. Овој систем автоматски го прекинува напојувањето на алатот за да го продолжи работниот век на батеријата. Алатот автоматски ќе запре за време на работењето ако алатот и/или батеријата се поставени под еден од следниве услови:

- Преоптовареност:
Со алатот се ракува на начин што предизвикува тој да повлекува ненормално висока електрична енергија. Во оваа ситуација, лизнете го клизниот прекинувач на алатот кон положба „О (OFF)“ и прекинете со примената која предизвикала преоптовареност на алатот. Потоа, лизнете го клизниот прекинувач кон положба „I (ON)“ за повторно да го стартувате.
Ако алатот не се вклучи, батеријата е презагреана. Во оваа ситуација, оставете батеријата да се олади пред повторно да го лизните клизниот прекинувач кон положба „I (ON)“.
- Низок напон на батеријата:
Преостанатиот капацитет на батеријата е пренизок и алатот нема да работи. Во таква ситуација, извадете ја и наполнете ја батеријата.

Заштита од прегревање

Кога алатот се преоптовари и температурата на алатот достигне одредено ниво, алатот автоматски се исклучува. Во оваа ситуација, оставете го алатот да се олади пред повторно да го вклучите алатот.

Вклучување

Слика 3

⚠ ВНИМАНИЕ:

- Пред да ја монтирате батеријата во алатот, секогаш проверувајте дали алатот е исклучен.
- За да го стартувате алатот, лизнете го клизниот прекинувач во позиција „I (ON)“.
- За да го запрете алатот, лизнете го клизниот прекинувач во позиција „О (OFF)“.

Прилагодување на брзината на вртење

Слика 4

Брзината на вртење може да се прилагоди. За да ја промените брзината на вртење, сврете го бирачот помеѓу 1 и 6. Што поголем бројот, толку е повисока брзината на вртење. Поставете го бирачот на бројот што одговара за вашиот работен материјал.

НАПОМЕНА:

- Бирачот не може да се сврти директно од 1 на 6 или од 6 на 1. Ако го туркате со прекумерна сила, може да дојде до оштетување на алатот. При промена на насоката на бирачот, секогаш вртете го бирачот движејќи го постепено низ секој од броевите.

Индикаторска ламбичка

Слика 5

- Кога преостанатиот капацитет на батеријата дојде на ниско ниво, индикаторската ламбичка почнува да трепка.

- Кога преостанатиот капацитет на батеријата падне на многу ниско ниво, алатот се исклучува во текот на работата и индикаторската ламбичка продолжува да свети околу 10 секунди.

Во таа ситуација, извадете ја батеријата од алатот и наполнете ја.

СОСТАВУВАЊЕ

⚠ВНИМАНИЕ:

- Пред секое дотерување или проверка на алатот, секогаш проверувајте дали е исклучен и батеријата е извадена.

Поставување или вадење приклучен алат (опционален додаток)

⚠ПРЕДУПРЕДУВАЊЕ:

- Приклучниот алат не смее да се монтира наопаку. Ако го монтирате наопаку, тоа може да предизвика оштетување на алатот и тешки телесни повреди.
- Монтирајте го приклучниот алат во правилната насока во согласност со работата што ја изведувате. Приклучниот алат може да се постави под агол на секои 30 степени.

⚠ВНИМАНИЕ:

- Внимавајте кога ја затварате рачката за блокирање. Рачката за блокирање може нагло да се затвори и да ве штипне за прстот.
 - Од време на време, чистете ја прашината и подмачкувајте го подвижниот дел на рачката за блокирање. Во спротивно, прашината може да се насобере во подвижниот дел на рачката за блокирање и да го наруши лесното движење.
 - Не вклучувајте го алатот додека рачката се отвара. Алатот може да се оштети.
1. Целосно отворете ја рачката за блокирање. Извадете ја завртката за прицврстување.

Слика6

2. Ставете го приклучниот алат (опционален додаток) на фланшата на алатот така што испакнатите делови на фланшата на алатот до влезе во дупчињатана приклучниот алат.

Слика7

3. Вметнете ја завртката за прицврстување додека не застане. Потоа, вратете ја рачката за блокирање во својата почетна позиција.

Слика8

Кога се користи приклучен алат за брусење, монтирајте го приклучниот алат на подлошката за брусење така што да одговара на нејзината насока. Подлошката за брусење има систем за спојување со кука кој дозволува лесно и брзо поставување на брусната хартија.

Бидејќи брусната хартија има дупчиња за испуштање на прашината, монтирајте ја брусната хартија така што дупчињата во брусната хартија да се совпаднаат со оние на подлошката за брусење.

За да ја отстрните брусната хартија, подигнете ја за крајниот дел и одлепете ја.

За да ја извадите завртката за прицврстување, следете ја постапката за монтирање по обратен редослед.

Слика9

Кога користите приклучни алати со различен тип на делот за монтирање, употребете соодветен адаптер (опционален додаток).

РАБОТЕЊЕ

⚠ПРЕДУПРЕДУВАЊЕ:

- Пред да го вклучите алатот и за време на работата, држете ги рацете и лицето настрана од приклучниот алат.

⚠ВНИМАНИЕ:

- Не применувајте прекумерен товар врз алатот бидејќи тоа може да предизвика моторот да се блокира и алатот за застане.

Сечење, пилење и стругање

⚠ВНИМАНИЕ:

- Не движете го алатот насилно во насока (на пример кон која било страна) на примената на алатот без засечен раб. Тоа може да го оштети алатот.

Слика10

Поставете го приклучниот алат на работниот материјал. Почнете да го движите алатот напред така што движењето на приклучниот алат да не ја намалува брзината.

НАПОМЕНА:

- Насилното или прекумерно притискање врз алатот може да ја намали неговата ефикасност.
- Пред да започнете со сечење, се препорачува однапред да се постави брзината на вртење 4 - 6.
- Отстранете ги струганиците соодветно повлекувајќи го алатот. Тоа ја зголемува неговата работна ефикасност.
- Кружната пила се препорачува за сечење по долга права линија.

Брусење

⚠ВНИМАНИЕ:

- Немојте да користите брусна хартија која веќе била употребувана за брусење метал за да брусите дрво.
- Немојте да користите излитена брусна хартија или брусна хартија без груба површина.

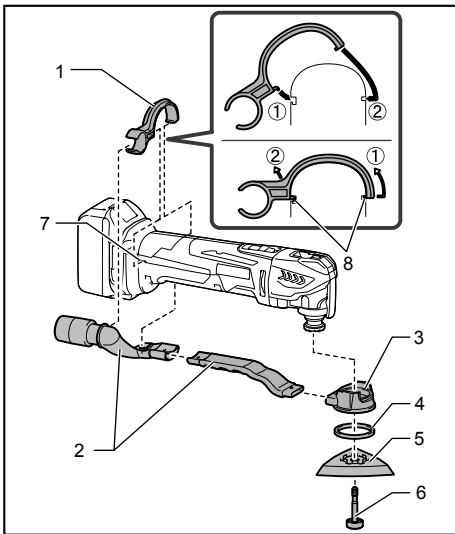
Слика11

Применете ја брусната хартија на работниот материјал.

НАПОМЕНА:

- Со помош на примерок за тестирање на материјалот, одредете ја точната брзина на вртење што одговара за работата што ќе ја изведувате.
- Користете брусна хартија со ист степен на грубост на површина додека не се заврши целиот работен материјал. Ако ја замените со брусна хартија со хартија со различен степен на грубост на површината, може да не се добие саканата фина обработка.

Приклучок за отстранување прашина (опционален додаток)



1. Стега за прскалка
2. Распрскувач на прав
3. Приклучок за прашина
4. Прстен од филц
5. Подлошка
6. Завртка за прицврстување
7. Дупчиња во алатот
8. Издадени делови на стегата за прскалката

014561

- Монтирајте ги прскалките за прашина и приклучокот за прашина.
- Монтирајте ја стегата на прскалката на алатот така што испакнатите делови да влезат во дупчињата во алатот за да се прицврсти.
- Поставете го прстенот од филц и подлошката за брусење на приклучокот за прашина и потоа прицврстете ги со завртката за монтирање на приклучниот алат.

Слика12

Кога сакате да извршите операција за чистење, поврзете правосмукалка на вашиот алат. Поврзете го цреволото од правосмукалката на приклучокот за отстранување прашина (опционален додаток).

ОДРЖУВАЊЕ

⚠ВНИМАНИЕ:

- Пред секоја проверка или одржување, секогаш проверувајте дали алатот е исклучен и батеријата е извадена.
- За чистење, не користете нафта, бензин, разредувач, алкохол или слично. Тие средства ја вадат бојата и може да предизвикаат деформации или пукнатини.

За да се одржи БЕЗБЕДНОСТА и СИГУРНОСТА на производот, поправките, проверките на јагленските честички и замената, како и сите други одржувања и дотерувања треба да се вршат во овластени сервисни центри на Makita, секогаш со резервни делови од Makita.

ОПЦИОНАЛЕН ПРИБОР

⚠ВНИМАНИЕ:

- Овој прибор или додатоци се препорачуваат за користење со алатот од Makita дефиниран во упатството. Со користење друг прибор или додатоци може да се изложите на ризик од телесни повреди. Користете ги приборот и додатоците само за нивната намена.

Ако ви треба помош за повеќе детали за приборот, прашајте во локалниот сервисен центар на Makita.

- Сегментирано сечило
- Кружно сечило
- Сечило за правило
- Струг (крут)
- Струг (флексибилен)
- Назабено сечило
- Скалесто назабено сечило
- НМ отстранувач
- НМ назабено сечило
- НМ брусна плоча
- Дијамантско сечило
- Подлошка за брусење
- Адаптер
- Абразивна хартија делта (црвена / бела / црна)
- Флис делта (средна / груба / без груба површина)
- Филц делта за полирање
- Имбус клуч
- Приклучок за отстранување прав
- Оригинална батерија и полнач Makita

НАПОМЕНА:

- Некои ставки на листата може да се вклучени со алатот како стандарден прибор. Тоа може да се разликува од земја до земја.

ROMÂNĂ (Instrucțiuni originale)

Explicitarea vederii de ansamblu

1-1. Buton	4-1. Selector	7-2. Orificii în unealta de aplicație
1-2. Indicator roșu	5-1. Lampă indicatoare	7-3. Proeminențe ale flanșei mașinii
1-3. Cartușul acumulatorului	6-1. Șurub de susținere	9-1. Adaptor
2-1. Marcaj în stea	6-2. Levier de blocare	
3-1. Comutator glisant	7-1. Șurub de susținere	

SPECIFICAȚII

Model		DTM41		DTM51	
Oscilații pe minut		6.000 - 20.000 (min ⁻¹)			
Unghi de oscilare, stânga/dreapta		1,6 ° (3,2 ° total)			
Cartuș acumulator standard		BL1430/ BL1440	BL1415 *	BL1830/ BL1840	BL1815 */ BL1815N *
Lungime totală		340 mm	326 mm	340 mm	326 mm
Greutate netă	fără accesoriu de extragere a prafului	2,1 kg	2,0 kg	2,2 kg	2,0 kg
	cu accesoriu de extragere a prafului	2,2 kg	2,1 kg	2,3 kg	2,1 kg
Tensiune nominală		14,4 V cc.		18 V cc.	

* NOTĂ: Pentru funcționare continuă, se recomandă un cartuș de acumulator de mare capacitate, model BL1430, BL1440, BL1830 și BL1840.

- Datorită programului nostru continuu de cercetare și dezvoltare, caracteristicile pot fi modificate fără o notificare prealabilă.
- Specificațiile și ansamblul baterie pot diferi de la țară la țară.
- Greutatea, cu ansamblul baterie, conform procedurii EPTA 01/2003

ENE080-1

Destinația de utilizare

Mașina este destinată tăierii și debitării lemnului, plasticului, ghipsului, metalelor neferoase și elementelor de fixare (de exemplu, capșe și cuie necălitate). De asemenea, este destinată prelucrării plăcilor moi de căptușit pereții, precum și șlefuirii și răzuirii suprafețelor mici. Adecvată în special pentru lucrări în apropierea marginilor și pentru tăieri aliniate.

ENG905-1

Emisie de zgomot

Nivelul de zgomot normal ponderat A determinat în conformitate cu EN60745:

Mod de lucru: Șlefuire

Model DTM41

Nivel de presiune acustică (L_{pA}): 76 dB (A)

Eroare (K): 3 dB (A)

Nivelul de zgomot în lucru poate depăși 80 dB (A).

Model DTM51

Nivel de presiune acustică (L_{pA}): 77 dB (A)

Eroare (K): 3 dB (A)

Nivelul de zgomot în lucru poate depăși 80 dB (A).

Mod de lucru: Tăiere cu pânză pentru ferăstrău pentru decupare prin plonjare

Model DTM41

Nivel de presiune acustică (L_{pA}): 80 dB (A)

Nivel putere sonoră (L_{WA}): 91 dB (A)

Eroare (K): 3 dB (A)

Model DTM51

Nivel de presiune acustică (L_{pA}): 81 dB (A)

Nivel putere sonoră (L_{WA}): 92 dB (A)

Eroare (K): 3 dB (A)

Mod de lucru: Tăiere cu pânză pentru ferăstrău segmentată

Model DTM41

Nivel de presiune acustică (L_{pA}): 77 dB (A)

Eroare (K): 3 dB (A)

Nivelul de zgomot în lucru poate depăși 80 dB (A).

Model DTM51

Nivel de presiune acustică (L_{pA}): 76 dB (A)

Eroare (K): 3 dB (A)

Nivelul de zgomot în lucru poate depăși 80 dB (A).

Mod de lucru: Răzuire

Model DTM41

Nivel de presiune acustică (L_{pA}): 78 dB (A)

Eroare (K): 3 dB (A)

Nivelul de zgomot în lucru poate depăși 80 dB (A).

Model DTM51

Nivel de presiune acustică (L_{pA}): 80 dB (A)

Nivel putere sonoră (L_{WA}): 91 dB (A)

Eroare (K): 3 dB (A)

Portați mijloace de protecție a auzului

ENG900-1

Vibrații

Valoarea totală a vibrațiilor (suma vectorilor tri-axiali) determinată conform EN60745:

Model DTM41

Mod de lucru: șlefuire

Emisia de vibrații (a_{h1}): 3,0 m/s²

Incertitudine (K): 1,5 m/s²

Model DTM51

Mod de lucru: șlefuire

Emisia de vibrații (a_{h1}): 3,0 m/s²

Incertitudine (K): 1,5 m/s²

Model DTM41

Mod de lucru: tăiere cu pânză pentru ferăstrău pentru decupare prin plonjare

Emisia de vibrații (a_{h1}): 7,0 m/s²

Incertitudine (K): 1,5 m/s²

Model DTM51

Mod de lucru: tăiere cu pânză pentru ferăstrău pentru decupare prin plonjare

Emisia de vibrații (a_{h1}): 7,0 m/s²

Incertitudine (K): 1,5 m/s²

Model DTM41

Mod de lucru: tăiere cu pânză de ferăstrău segmentată

Emisia de vibrații (a_{h1}): 4,5 m/s²

Incertitudine (K): 1,5 m/s²

Model DTM51

Mod de lucru: tăiere cu pânză de ferăstrău segmentată

Emisia de vibrații (a_{h1}): 4,5 m/s²

Incertitudine (K): 1,5 m/s²

Model DTM41

Mod de lucru: răzuire

Emisia de vibrații (a_{h1}): 5,0 m/s²

Incertitudine (K): 1,5 m/s²

Model DTM51

Mod de lucru: răzuire

Emisia de vibrații (a_{h1}): 5,5 m/s²

Incertitudine (K): 1,5 m/s²

ENG900-1

- Nivelul de vibrații declarat a fost măsurat în conformitate cu metoda de test standard și poate fi utilizat pentru compararea unei uneelte cu alta.
- Nivelul de vibrații declarat poate fi, de asemenea, utilizat într-o evaluare preliminară a expunerii.

⚠️ AVERTISMENT:

- Nivelul de vibrații în timpul utilizării reale a uneeltei electrice poate diferi de valoarea nivelului declarat, în funcție de modul în care unealta este utilizată.
- Asigurați-vă că identificați măsurile de siguranță pentru a proteja operatorul, acestea fiind bazate pe o estimare a expunerii în condiții reale de utilizare (luând în considerare toate părțile ciclului de operare, precum timpii în care unealta a fost oprită, sau a funcționat în gol, pe lângă timpul de declanșare).

ENH101-17

Numai pentru țările europene

Declarație de conformitate CE

Makita declară că următoarea(ele) mașină(i):

Denumirea mașinii:

Mașină multifuncțională fără fir

Model Nr./ Tip: DTM41, DTM51

Este în conformitate cu următoarele directive europene:

2006/42/EC

Sunt fabricate în conformitate cu următorul standard sau documente standardizate:

EN60745

Fișierul tehnic în conformitate cu 2006/42/CE este disponibil de la:

Makita, Jan-Baptist Vinkstraat 2, 3070, Belgia

18.7.2013



000331

Yasushi Fukaya

Director

Makita, Jan-Baptist Vinkstraat 2, 3070, Belgia

Avertismente generale de siguranță pentru unelte electrice

⚠ **AVERTIZARE** Citiți toate avertizările de siguranță și toate instrucțiunile. Nerespectarea acestor avertizări și instrucțiuni poate avea ca rezultat electrocutarea, incendiul și/sau rănirea gravă.

Păstrați toate avertismentele și instrucțiunile pentru consultări ulterioare.

GEB094-2

AVERTISMENTE PRIVIND SIGURANȚA PENTRU MAȘINA MULTIFUNCȚIONALĂ FĂRĂ FIR

1. Această mașină electrică este destinată tăierii, debitării, polizării și șlefuirii. Citiți toate avertismentele privind siguranța, instrucțiunile, ilustrațiile și specificațiile furnizate cu această mașină electrică. Nerespectarea integrală a instrucțiunilor de mai jos poate cauza electrocutări, incendii și/sau vătămări corporale grave.
2. Țineți mașina electrică de suprafețele de prindere izolate atunci când efectuați o operațiune în care accesoriul de tăiere poate intra în contact cu fire ascunse. Accesoriul de tăiere care intră în contact cu un fir aflat sub tensiune poate pune sub tensiune componentele metalice neizolate ale mașinii electrice și poate produce un șoc electric asupra operatorului.
3. Folosiți bride sau altă metodă practică de a fixa și sprijini piesa de prelucrat pe o platformă stabilă. Fixarea piesei cu mâna sau strângerea acesteia la corp nu prezintă stabilitate și poate conduce la pierderea controlului.
4. Folosiți întotdeauna viziere sau ochelari de protecție. Ochelarii obișnuiți sau ochelarii de soare NU sunt ochelari de protecție.
5. Evitați tăierea cuieilor. Inspectați piesa de prelucrat și eliminați cuiele din aceasta înainte de începerea lucrării.
6. Țineți bine mașina.
7. Asigurați-vă că unealta de aplicație nu intră în contact cu piesa de lucru înainte de pornire.
8. Țineți mâinile la distanță de piesele în mișcare.
9. Nu lăsați mașina în funcțiune. Folosiți mașina numai când o țineți cu mâinile.
10. Opriti întotdeauna mașina și așteptați ca pânza să se oprească complet înainte de a scoate pânza din piesa prelucrată.
11. Nu atingeți unealta de aplicație sau piesa de lucru imediat după executarea lucrării; acestea pot fi extrem de fierbinți și pot provoca arsuri ale pielii.
12. Nu acționați mașina în gol în mod inutil.
13. Folosiți întotdeauna masca de protecție contra prafului adecvată pentru materialul și aplicația la care lucrați.
14. Unele materiale conțin substanțe chimice care pot fi toxice. Aveți grijă să nu inhalați praful și evitați contactul cu pielea. Respectați instrucțiunile de siguranță ale furnizorului.
15. Această mașină nu este etanșă la apă, prin urmare nu folosiți apă pe suprafața piesei de prelucrat.
16. Ventilați corespunzător spațiul de lucru atunci când efectuați operații de șlefuire.
17. Folosirea acestei mașini pentru șlefuirea anumitor produse, vopsele și tipuri de lemn poate expune utilizatorul la substanțe periculoase. Folosiți protecție respiratorie adecvată.
18. Asigurați-vă că nu există fisuri sau rupturi pe taler înainte de utilizare. Fisurile sau rupturile pot provoca vătămări corporale.
19. Nu folosiți accesorii care nu sunt special concepuți și recomandați de producătorul mașinii. Simplul fapt că accesoriul poate fi atașat la mașina dumneavoastră electrică nu asigură funcționarea în condiții de siguranță.
20. Purtați echipamentul individual de protecție. În funcție de aplicație, folosiți o mască de protecție, ochelari de protecție sau viziere de protecție. Dacă este cazul, purtați mijloace de protecție a auzului, mănuși și un șorț de lucru capabil să oprească fragmentele mici abrazive sau fragmentele piesei. Mijloacele de protecție a vederii trebuie să fie capabile să oprească resturile proiectate în aer generate la diverse operații. Masca de protecție contra prafului sau masca respiratoare trebuie să fie capabilă să filtreze particulele generate în timpul operației respective. Expunerea prelungită la zgomot foarte puternic poate provoca pierderea auzului.
21. Țineți spectatorii la o distanță sigură față de zona de lucru. Orice persoană care pătrunde în zona de lucru trebuie să poarte echipament personal de protecție. Fragmentele piesei prelucrate sau ale unui accesoriu spart pot fi proiectate în jur cauzând vătămări corporale în zona imediat adiacentă zonei de lucru.
22. Nu așezați niciodată mașina electrică înainte de oprirea completă a accesoriului. Accesoriul aflat în rotație ar putea apuca suprafața și trage de mașina electrică fără a o putea controla.
23. Nu lăsați mașina electrică în funcțiune în timp ce o transportați lângă corpul dumneavoastră. Contactul accidental cu accesoriul vă poate agăța îmbrăcămintea, trăgând accesoriul spre corpul dumneavoastră.
24. Nu folosiți mașina electrică în apropierea materialelor inflamabile. Scânteile pot aprinde aceste materiale.

25. Nu folosiți accesoriile care necesită agenți de răcire lichizi. Folosirea apei sau a lichidelor de răcire poate cauza electrocutări sau șocuri de tensiune.
26. Asigurați-vă întotdeauna că scula este oprită și deconectată sau că acumulatorii sunt scoase înainte de a executa orice lucrări la mașină.
27. Asigurați-vă întotdeauna că aveți o poziție stabilă a picioarelor. Asigurați-vă că nu se află nicio persoană dedesubt atunci când folosiți mașina la înălțime.
6. Nu depozitați mașina și cartușul acumulatorului în spații în care temperatura poate atinge sau depăși 50 ° C (122 ° F).
7. Nu incinerati cartușul acumulatorului chiar dacă acesta este grav deteriorat sau complet uzat. Cartușul acumulatorului poate exploda în foc.
8. Aveți grijă să nu scăpați pe jos sau să loviți acumulatorul.
9. Nu folosiți un acumulator uzat.
10. Respectați normele naționale privind eliminarea la deșeurile a acumulatorului.

PĂSTRAȚI ACESTE INSTRUCȚIUNI.

⚠️ AVERTISMENT:

NU permiteți comodității și familiarizării cu produsul (obținute prin utilizare repetată) să înlocuiască respectarea strictă a normelor de securitate pentru acest produs. FOLOSIREA INCORECTĂ sau nerespectarea normelor de securitate din acest manual de instrucțiuni poate provoca vătămări corporale grave.

ENC007-8

INSTRUCȚIUNI IMPORTANTE PRIVIND SIGURANȚA PENTRU CARTUȘUL ACUMULATORULUI

1. Înainte de a folosi cartușul acumulatorului, citiți toate instrucțiunile și atenționările de pe (1) încarcătorul acumulatorului, (2) acumulator și (3) produsul care folosește acumulatorul.
2. Nu dezmembrați cartușul acumulatorului.
3. Dacă timpul de funcționare s-a redus excesiv, întrerupeți imediat funcționarea. Aceasta poate prezenta risc de supraîncălzire, posibile arsuri și chiar explozie.
4. Dacă electrolitul pătrunde în ochi, clătiți bine ochii cu apă curată și consultați imediat un medic. Există risc de orbire.
5. Nu scurtcircuitați cartușul acumulatorului:
 - (1) Nu atingeți bornele cu niciun material conductor.
 - (2) Evitați depozitarea cartușului acumulatorului la un loc cu alte obiecte metalice cum ar fi cuie, monede etc.
 - (3) Nu expuneți cartușul acumulatorului la apă sau ploaie.

Un scurtcircuit al acumulatorului poate provoca un flux puternic de curent electric, supraîncălzire, posibile arsuri și chiar defectarea mașinii.

PĂSTRAȚI ACESTE INSTRUCȚIUNI.

Sfaturi pentru obținerea unei durate maxime de exploatare a acumulatorului

1. Încărcați cartușul acumulatorului înainte de a se descărca complet. Întrerupeți întotdeauna funcționarea mașinii și încărcați cartușul acumulatorului când observați o scădere a puterii mașinii.
2. Nu reîncărcați niciodată un acumulator complet încărcat. Supraîncărcarea va scurta durata de exploatare a acumulatorului.
3. Încărcați cartușul acumulatorului la temperatura camerei, între 10 ° C - 40 ° C (50 ° F - 104 ° F). Lăsați un acumulator fierbinte să se răcească înainte de a-l încărca.
4. Încărcați cartușul acumulatorului o dată la fiecare șase luni dacă nu îl utilizați pentru o perioadă lungă de timp.

DESCRIERE FUNCȚIONALĂ

⚠️ AVERTISMENT:

- **Asigurați-vă întotdeauna că unealta este oprită și cartușul acumulatorului este scos înaintea reglării și verificării funcției mașinii.** Dacă mașina nu este oprită și cartușul acumulatorului nu este scos, pot rezulta accidente grave în urma pornirii accidentale.

Instalarea sau scoaterea cartușului acumulatorului

Fig.1

⚠️ ATENȚIE:

- Opriți întotdeauna unealta înainte de montarea sau demontarea cartușului de acumulator.
- **Țineți ferm mașina și cartușul acumulatorului la montarea sau demontarea cartușului.** În caz contrar, acestea vă pot aluneca din mâini, rezultând defectarea lor și posibilele accidentări.

Pentru a scoate cartușul acumulatorului, glisați-l din unealtă în timp ce glisați butonul de pe partea frontală a cartușului.

Pentru a instala cartușul acumulatorului, aliniați limba de pe cartușul acumulatorului cu canelura din carcasă și introduceți-l în locaș. Introduceți-l complet, până când se înclichetează în locaș. Dacă puteți vedea indicatorul roșu din partea superioară a butonului, acesta nu este blocat complet.

⚠️ ATENȚIE:

- Instalați întotdeauna cartușul acumulatorului complet, până când indicatorul roșu nu mai este vizibil. În caz contrar, acesta poate cădea accidental din mașină provocând rănirea dumneavoastră sau a persoanelor din jur.
- Nu forțați cartușul de acumulator la montare. Dacă acesta nu glisează ușor, înseamnă că a fost introdus incorect.

Sistem de protecție a acumulatorului (acumulator litiu-ion cu marcaj stea)

Fig.2

Acumulatorii litiu-ion cu un marcaj stea sunt echipate cu un sistem de protecție. Acest sistem oprește automat alimentarea mașinii pentru a prelungi durata de viață a bateriei.

Mașina se va opri automat în timpul funcționării când mașina și/sau acumulatorul se află într-una din situațiile următoare.

- **Suprasarcină:**
Mașina este operată într-o manieră care determină atragerea unui curent de o intensitate anormal de ridicată.
În acest caz, glisați comutatorul glisant de pe mașină spre poziția "O (OFF)" (Oprire) și opriți aplicația care a dus la suprasolicitarea

mașinii. Apoi, glisați comutatorul glisant spre poziția "I (ON)" (Pornire) pentru a reporni.

Dacă mașina nu pornește, acumulatorul este supraîncălzit. În această situație, lăsați acumulatorul să se răcească înainte de a glisa comutatorul glisant spre poziția "I (ON)" (Pornire) din nou.

- **Tensiune scăzută acumulator:**
Capacitatea rămasă a bateriei este prea mică, iar mașina nu va funcționa. În această situație, scoateți și reîncărcați acumulatorul.

Protecție la supraîncălzire

Când mașina este supraîncălzită și temperatura mașinii atinge un anumit nivel, mașina se oprește automat. În această situație, lăsați mașina să se răcească înainte de a porni mașina din nou.

Acționarea întrerupătorului

Fig.3

⚠️ ATENȚIE:

- Înainte de a monta cartușul acumulatorului în mașină, asigurați-vă întotdeauna că mașina este oprită.

Pentru a porni mașina, glisați comutatorul glisant spre poziția "I (ON)" (Pornire).

Pentru a opri mașina, glisați comutatorul glisant de pe mașină spre poziția "O (OFF)" (Oprire).

Reglarea ratei de cursă circulară

Fig.4

Rata de cursă circulară este reglabilă. Pentru a modifica rata de cursă circulară, rotiți selectorul între 1 și 6. Cu cât este mai ridicat numărul, cu atât este mai ridicată rata de cursă orbitală. Presetați selectorul la numărul potrivit pentru piesa de lucru.

NOTĂ:

- Selectorul nu poate fi rotit direct de la 1 la 6 sau de la 6 la 1. Forțarea selectorului poate duce la defectarea mașinii. La schimbarea direcției selectorului, rotiți întotdeauna selectorul comutând la fiecare număr intermediar.

Lampă indicatoare

Fig.5

- Când capacitatea rămasă a acumulatorului se reduce, lampa de indicare luminează intermitent.
- Când capacitatea rămasă a acumulatorului se reduce și mai mult, mașina se oprește în timpul operării, iar lampa de indicare luminează timp de aproximativ 10 secunde.

În acest moment, scoateți cartușul de acumulator din mașină și încărcați-l.

MONTARE

⚠️ATENȚIE:

- Asigurați-vă întotdeauna că mașina este oprită și cartușul acumulatorului este scos înainte de a executa orice lucrări la mașină.

Montarea sau demontarea unelei de aplicație (accesoriu opțional)

⚠️AVERTISMENT:

- Nu montați unealta de aplicație cu susul în jos. Montarea unelei de aplicație cu susul în jos poate duce la defectarea mașinii și accidentări grave.
- Montați unealta accesoriu în direcție corectă, în funcție de lucrarea de efectuat. Unealta de aplicație poate fi montată la un unghi de 30 de grade.

⚠️ATENȚIE:

- Aveți grijă când închideți pârghia de blocare. Pârghia de blocare se poate închide brusc, prinzându-vă degetul.
 - Curățați praful și lubrifiați partea mobilă a pârghiei de blocare din când în când. În caz contrar, praful se poate acumula pe partea mobilă a pârghiei de blocare, afectând mișcarea liberă a acesteia.
 - Nu porniți mașina în timpul deschiderii pârghiei. Mașina poate fi avariată.
1. Deschideți complet pârghia de blocare. Și îndepărtați șurubul de susținere.

Fig.6

2. Amplasați unealta de aplicație (accesoriu opțional) pe flanșa mașinii astfel încât proeminențele flanșei să se potrivească în orificiile unelei de aplicație.

Fig.7

3. Introduceți șurubul de susținere până când se oprește. Și apoi aduceți pârghia de blocare înapoi în poziția originală.

Fig.8

La utilizarea unelei de aplicație pentru șlefuire, montați unealta de aplicație pe plăcuța de șlefuire, astfel încât să corespundă direcției plăcuței de șlefuire.

Plăcuța de șlefuire are un cârlig și un sistem de montare tip buclă care permite montarea rapidă și simplă a unui șmirghel.

Deoarece șmirghelul are orificii pentru extragerea prafului, montați șmirghelul astfel încât orificiile din acesta să corespundă orificiilor din plăcuța de șlefuire. Pentru a îndepărta șmirghelul, ridicați capătul acestuia și desprindeți-l.

Pentru a înlătura șurubul de susținere, urmați procedurile de instalare în sens invers.

Fig.9

La utilizarea unor unelte de aplicație cu un tip diferit de secțiune de instalare, utilizați un adaptor correct (accesoriu opțional).

FUNȚIONARE

⚠️AVERTISMENT:

- Înainte de a scoate unealta și în timpul operării, feriți-vă mâinile și fața de unealta de aplicație.

⚠️ATENȚIE:

- Nu aplicați o sarcină excesivă pe unealtă, deoarece aceasta ar putea duce la blocarea motorului și oprirea mașinii.

Tăierea, debitarea și răzuirea

⚠️ATENȚIE:

- Nu mutați forțat unealta în direcția (de exemplu, spre oricare dintre părți) de aplicare, fără o margine de tăiere. Acest lucru ar putea deteriora unealta.

Fig.10

Amplasați unealta de aplicație pe piesa de lucru.

Apoi deplasați mașina înainte astfel încât mișcarea unelei de aplicație să nu încetinească.

NOTĂ:

- Forțarea unelei sau presiunea excesivă pe unealtă poate reduce eficiența.
- Înaintea operației de tăiere, se recomandă presetarea ratei de cursă circulară la 4 - 6.
- Îndepărtați rumegușul trăgând de mașină în mod corespunzător. Astfel creșteți eficiența de lucru.
- Ferăstrăul circular este recomandat pentru tăierea în linie dreaptă, pe distanțe mari.

Șlefuirea

⚠️ATENȚIE:

- Nu reutilizați pentru șlefuirea lemnului un șmirghel care a fost folosit la șlefuirea metalului.
- Nu folosiți un șmirghel uzat sau un șmirghel fără strat abraziv.

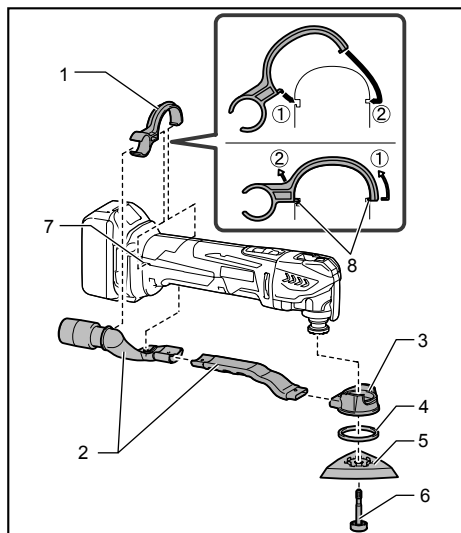
Fig.11

Aplicați șmirghelul pe piesa de lucru.

NOTĂ:

- Pentru a determina rata de cursă circulară adecvată pentru lucrarea de efectuat, se recomandă utilizarea unei mostre de material pentru test.
- Utilizați un șmirghel cu același strat abraziv până la finalizarea șlefuirii întregii piese de lucru. Înlocuirea unui șmirghel cu un șmirghel care are un strat abraziv diferit va împiedica obținerea unui finisaj uniform și fin.

Accesoriu de extragere a prafului (accesoriu opțional)



1. Bandă duză
2. Duză de praf
3. Accesoriu de protecție contra prafului
4. Inel din pâslă
5. Taler
6. Șurub de susținere
7. Orificii în mașină
8. Proeminențe ale benzii de duză

014561

- Montați duze de praf și accesoriile de protecție contra prafului.
- Montați banda de duză pe mașină astfel încât proeminențele acesteia să se potrivească în orificiile uneltei pentru fixare.
- Amplasați inelul din pâslă și plăcuța de șlefuire pe accesoriul de protecție contra prafului și apoi fixați-le cu șurubul de instalare a uneltei de aplicație.

Fig.12

Dacă doriți să executați operații de curățare, conectați la mașina dumneavoastră un aspirator. Conectați furtunul aspiratorului la accesoriul de extragere a prafului (accesoriu opțional).

ÎNȚREȚINERE

⚠ATENȚIE:

- Asigurați-vă întotdeauna că mașina este oprită și cartușul acumulatorului este scos înainte de a executa lucrările de inspecție și întreținere.
- Nu utilizați niciodată gazolină, benzină, diluant, alcool sau alte substanțe asemănătoare. În caz contrar, pot rezulta decolorări, deformări sau fisuri.

Pentru a menține SIGURANȚA și FIABILITATEA mașinii, reparațiile, schimbarea și verificarea periilor de carbon, precum și orice alte operațiuni de întreținere sau reglare trebuie să fie efectuate numai la Centrele de service autorizat Makita, folosindu-se piese de schimb Makita.

ACCESORII OPȚIONALE

⚠ATENȚIE:

- Folosiți accesoriile sau piesele auxiliare recomandate pentru mașina dumneavoastră în acest manual. Utilizarea oricăror alte accesorii sau piese auxiliare poate cauza vătămări. Folosiți accesoriile pentru operațiunea pentru care au fost concepute.

Dacă aveți nevoie de asistență sau de mai multe detalii referitoare la aceste accesorii, adresați-vă centrului local de service Makita.

- Pânză pentru ferăstrău de segmentare
- Pânză pentru ferăstrău rotundă
- Până pentru ferăstrău pentru decupare prin plonjare
- Racletă (rigidă)
- Racletă (flexibilă)
- Pânză de segmentare dințată
- Dispozitiv de tăiere universal pentru îmbinări
- Dispozitiv de extragere HM
- Pânză pentru ferăstrău de segmentare HM
- Placă de șlefuire HM
- Pânză ferăstrău pentru segmentare diamant
- Plăcuță de șlefuire
- Adaptor
- Hârtie delta abrazivă (roșie / albă / neagră)
- Delta din lână (medie / aspră / fără strat abraziv)
- Delta din pâslă pentru netezire
- Cheie inbus
- Accesoriu de extragere a prafului
- Acumulator și încărcător original Makita

NOTĂ:

- Unele articole din listă pot fi incluse ca accesorii standard în ambalajul de scule. Acestea pot diferi în funcție de țară.

СРПСКИ (оригинално упутство)

Опште објашњење

1-1. Дугме	4-1. Бројчаник	7-2. Отвори на наменском алату
1-2. Црвени индикатор	5-1. Индикаторска лампица	7-3. Избочине прирубнице алата
1-3. Кертриџ батерије	6-1. Завртањ држач	9-1. Адаптер
2-1. Звездаста ознака	6-2. Полуга за закључавање	
3-1. Клизни прекидач	7-1. Завртањ држач	

ТЕХНИЧКИ ПОДАЦИ

Модел		DTM41		DTM51	
Број осцилација у минути		6.000 - 20.000 (мин ⁻¹)			
Угао осцилација, лево/десно		1,6 ° (3,2 ° укупно)			
Стандардни акумулатор		BL1430/ BL1440	BL1415 *	BL1830/ BL1840	BL1815 */ BL1815N *
Укупна дужина		340 мм	326 мм	340 мм	326 мм
Нето тежина	без додатка за избацивање прашине	2,1 кг	2,0 кг	2,2 кг	2,0 кг
	са додатком за избацивање прашине	2,2 кг	2,1 кг	2,3 кг	2,1 кг
Номинални напон		DC 14,4 V		DC 18 V	

* НАПОМЕНА: За континуирани рад препоручују се акумулатори BL1430, BL1440, BL1830 и BL1840.

- На основу нашег непрестаног истраживања и развоја задржавамо право измена горе наведених података без претходне најаве.
- Технички подаци и кертриџ батерије могу да се разликују у различитим земљама.
- Тежина, са кертриџом батерије, према процедури ЕПТА 01/2003

Намена

ENE080-1

Алат је намењен за тестерисање и резање дрвета, пластике, гипса, непорозних метала и елемената за причвршћивање (нпр. ексери од некаљеног челика и спајалице). Намењен је и за рад са меканим зидним циглама, као и за суво шмирглање и стругање малих површина. Нарочито је применљив за рад близу ивице и за равнање.

ENG905-1

Бука

Типичан ниво буке по оцени А одређен је према EN60745:

Режим рада: Шмирглање

Модел DTM41

Ниво звучног притиска (L_{pA}): 76 dB (A)
Толеранција (K): 3 dB (A)

Ниво буке током рада може да премаши 80 dB (A).

Модел DTM51

Ниво звучног притиска (L_{pA}): 77 dB (A)
Толеранција (K): 3 dB (A)

Ниво буке током рада може да премаши 80 dB (A).

Режим рада: Резање помоћу сечива тестере са чеоним глодањем

Модел DTM41

Ниво звучног притиска (L_{pA}): 80 dB (A)
Ниво јачине звука (L_{WA}): 91 dB (A)
Толеранција (K): 3 dB (A)

Модел DTM51

Ниво звучног притиска (L_{pA}): 81 dB (A)
Ниво јачине звука (L_{WA}): 92 dB (A)
Толеранција (K): 3 dB (A)

Режим рада: Резање помоћу сегментног сечива тестере

Модел DTM41

Ниво звучног притиска (L_{pA}): 77 dB (A)
Толеранција (K): 3 dB (A)

Ниво буке током рада може да премаши 80 dB (A).

Модел DTM51

Ниво звучног притиска (L_{pA}): 76 dB (A)
Толеранција (K): 3 dB (A)

Ниво буке током рада може да премаши 80 dB (A).

Режим рада: Стругање

Модел DTM41

Ниво звучног притиска (L_{pA}): 78 dB (A)

Толеранција (K): 3 dB (A)

Ниво буке током рада може да премаши 80 dB (A).

Модел DTM51

Ниво звучног притиска (L_{pA}): 80 dB (A)

Ниво јачине звука (L_{WA}): 91 dB (A)

Толеранција (K): 3 dB (A)

Носите заштиту за слух

ENG900-1

Вибрације

Укупна вредност вибрација (векторска сума у три правца) одређена је према EN60745:

Модел DTM41

Режим рада: шмирглање

Емисиона вредност вибрација (a_h): 3,0 m/s^2

Толеранција (K): 1,5 m/s^2

Модел DTM51

Режим рада: шмирглање

Емисиона вредност вибрација (a_h): 3,0 m/s^2

Толеранција (K): 1,5 m/s^2

Модел DTM41

Режим рада: резање помоћу сечива тестере са чеоним глодањем

Емисиона вредност вибрација (a_h): 7,0 m/s^2

Толеранција (K): 1,5 m/s^2

Модел DTM51

Режим рада: резање помоћу сечива тестере са чеоним глодањем

Емисиона вредност вибрација (a_h): 7,0 m/s^2

Толеранција (K): 1,5 m/s^2

Модел DTM41

Режим рада: резање помоћу сегментног сечива тестере

Емисиона вредност вибрација (a_h): 4,5 m/s^2

Толеранција (K): 1,5 m/s^2

Модел DTM51

Режим рада: резање помоћу сегментног сечива тестере

Емисиона вредност вибрација (a_h): 4,5 m/s^2

Толеранција (K): 1,5 m/s^2

Модел DTM41

Режим рада: стругање

Емисиона вредност вибрација (a_h): 5,0 m/s^2

Толеранција (K): 1,5 m/s^2

Модел DTM51

Режим рада: стругање

Емисиона вредност вибрација (a_h): 5,5 m/s^2

Толеранција (K): 1,5 m/s^2

ENG901-1

- Декларисана емисиона вредност вибрација је измерена према стандардизованом мерном поступку и може се користити за упоређивање алата.
- Декларисана емисиона вредност вибрација се такође може користити за прелиминарну процену изложености.

⚠ УПОЗОРЕЊЕ:

- Емисиона вредност вибрација током реалне примене електричног алата може се разликовати од декларисане емисионе вредности што зависи од начина на који се користи алат.
- Уверите се да сте идентификовали безбедносне мере за заштиту руковаоца које су засноване на процени изложености у реалним условима употребе (као и у свим деловима радног циклуса као што је време рада уређаја, али и време када је алат искључен и када ради у празном ходу).

ENH101-17

Само за европске земље

ЕЗ Декларација о усклађености

Makita изјављује за следећу(е) машину(е):

Ознака машине:

Бежични алат за вишеструку намену

Број модела/ Тип: DTM41, DTM51

Усклађена са следећим европским смерницама:
2006/42/ЕЗ

Да је произведена у складу са следећим стандардом или стандардизованим документима:

EN60745

Техничка датотека у складу са 2006/42/ЕЗ доступна је на:

Makita, Jan-Baptist Vinkstraat 2, 3070, Белгија

18.7.2013



000331

Yasushi Fukaya

Директор

Makita, Jan-Baptist Vinkstraat 2, 3070, Белгија

Општа безбедносна упозорења за електричне алате

⚠ УПОЗОРЕЊЕ Прочитајте сва безбедносна упозорења и упутства. Непоштовање доле наведених упозорења и упутстава може изазвати електрични удар, пожар и/или озбиљну повреду.

Сачувајте сва упозорења и упутства за будуће потребе.

СИГУРНОСНА УПОЗОРЕЊА ЗА БЕЖИЧНЕ АЛАТЕ ЗА ВИШЕСТРУКУ ПРИМЕНУ

- Овај електрични алат намењен је за тестерисање, резање, брушење и шмирглање. Прочитајте сва безбедносна упозорења, упутства, илустрације и спецификације које су испоручене уз овај електрични алат. Непоштовање свих доле наведених безбедносних упутстава може изазвати електрични удар, пожар и/или озбиљну повреду.
- Електрични алат држите за изоловане руковате када обављате радове при којима постоји могућност да резни прибор додирне скривене водове. Резни прибор који додирне струјни кабл може да стави под напон изложене металне делове електричног алата и изложи руковаоца електричном удару.
- Користите стеге или други практичан начин причвршћивања и подржавања предмета обраде за стабилну површину. Држаће предмета обраде руком или уз тело чини га нестабилним и може да доведе до губитка контроле.
- Увек користите заштитне наочаре или заштитну маску. Обичне наочаре за вид или сунце НИСУ заштитне наочаре.
- Избегавајте сечење ексера. Прегледајте да ли у предмету обраде има ексера и уклоните их пре сечења.
- Алат држите чврсто.
- Уверите се да наменски алат не додирује предмет обраде пре укључивања прекидача.
- Руке држите даље од покретних делова.
- Не остављајте алат да ради. Алат укључите само када га држите рукама.
- Увек искључите и сачекајте да се лист тестере потпуно заустави пре уклањања листа са предмета обраде.
- Наменски алат или предмет обраде немојте да додирујете одмах после завршетка рада јер може да буде врло врућ и можете да се опечете.
- Немојте непотребно да користите алат ако нема оптерећења.
- Увек користите одговарајућу маску за прашину/респиратор за материјал и примену на којима радите.
- Неки материјали садрже хемикалије које могу да буду отровне. Будите пажљиви како не би дошло до удисања прашине или контакта са кожом. Следите безбедносне податке добављача материјала.
- Овај алат није направљен да буде отпоран на воду, зато немојте да квасите површину предмета обраде.
- Проветравајте радни простор на одговарајући начин када обављате шмирглање.
- Помоћу овог алата можете да брусите неке производе, али прашина од боја или дрвета може да садржи опасне супстанце. Користите одговарајућу заштитну маску.
- Пре коришћења проверите да ли је плоча напукла или сломљена. Пукотине или оштећења могу да проузрокују телесне повреде.
- Не користите прибор који није специјално пројектован и препоручен од стране произвођача алата. Ако неки прибор може да се прикључи на ваш електрични алат, то не значи да осигурава безбедан рад.
- Носите заштитну опрему. У зависности од примене, користите штитник за лице, заштитну маску или заштитне наочаре. Ако је потребно, носите штитнике за слух, рукавице и радну кецељу која може да заустави мале абразивне честице или делиће предмета обраде. Заштита за очи мора да буде у стању да заустави летеће опилке који се стварају при разним операцијама. Маска за праšину или респиратор морају да буду у стању да филтрирају честице које се стварају док радите. Дуже излагање високом нивоу буке може довести до губитка слуха.
- Удаљите посматраче на безбедну удаљеност од радног подручја. Свако ко улази у радно подручје мора да носи личну заштитну опрему. Делићи предмета обраде или поломљеног прибора могу се одбацити и изазвати повреду и изван непосредног радног подручја.
- НИКАД не одлажите алат док се прибор потпуно не заустави. Ротирајући прибор може да се укола у површину и избаца електрични алат из ваше контроле.
- Немојте да укључујете електрични алат док га носите поред тела. Случајни контакт са прибором могао би да уплете одећу повлачећи прибор ка телу.

24. Не укључујте електрични алат близу запаљивих материјала. Варнице би могле да упале такве материјале.
25. Немојте да користите прибор за који је потребна расхладна течност. Употреба воде или других расхладних течности може довести до електричног удара.
26. Пре почетка било каквих радова на алату проверите да ли је алат искључен, утикач извучен из утичнице и да ли је батерија уклоњена.
27. Побрините се да увек имате чврст ослонац испод ногу. Уверите се да никога нема испод ако алат користите на високим местима.

САЧУВАЈТЕ ОВО УПУТСТВО.

⚠УПОЗОРЕЊЕ:

НЕ дозволите да строга безбедносна правила која се односе на овај производ буду занемарена због чињенице да сте производ добро упознали и стекли рутину у руковању са њим. **НЕНАМЕНСКА УПОТРЕБА** или непоштовање правила безбедности наведених у овом упутству могу довести до озбиљних повреда.

ENC007-8

ВАЖНА БЕЗБЕДНОСНА УПУТСТВА

ЗА КЕРТРИЦ БАТЕРИЈЕ

1. Пре употребе кертрица батерије, прочитајте сва упутства и безбедносне ознаке на (1) пуњачу батерије, (2) батерији и (3) производу који користи батерију.
2. Немојте да расклапате кертриц батерије.
3. Ако је време рада постало изузетно краће, одмах престаните са руковањем. То може да доведе до ризика од прегревања, могућих опекотина, па чак и експлозије.
4. Ако електролит доспе у очи, исперите их чистом водом и одмах затим затражите помоћ лекара. То може да доведе до губитка вида.
5. Немојте да изазивате кратак спој на кертрицу батерије:
 - (1) Немојте да додирујете терминале било којим проводничким материјалом.
 - (2) Избегавајте складиштење кертрица батерије у контејнеру са другим металним предметима као што ексери, новчићи итд.
 - (3) Немојте да излажете кертриц батерије води или киши.

Кратак спој на батерији може да доведе до великог протока струје, прегревања, могућих опекотина, па чак и прегоревања.

6. Немојте да складиштите алат и кертриц батерије на местима где температура може да достигне или премаши 50 ° C (122 ° F).
7. Немојте да палите кертриц батерије чак ни ако је озбиљно оштећен или потпуно похабан. Кертриц батерије може да експлодира у ватри.
8. Пазите да не испустите или ударите батерију.
9. Немојте да користите оштећену батерију.
10. Придржавајте се локалних прописа у вези са одлагањем батерије.

САЧУВАЈТЕ ОВО УПУТСТВО.

Савети за одржавање максималног трајања батерије

1. Напуните кертриц батерије пре него што се потпуно испразни. Сваки пут прекините рад са алатом и промените кертриц батерије када приметите да је снага алата слабија.
2. Никада немојте да допуњавате потпуно напуњени кертриц батерије. Препуњавање скраћује радни век батерије.
3. Напуните кертриц батерије са собном температуром од 10 ° C до 40 ° C (50 ° F - 104 ° F). Пустите да се врући кертриц батерије охлади пре пуњења.
4. Напуните кертриц батерије на сваких шест месеци ако га не користите током дужег временског периода.

ОПИС ФУНКЦИЈА АЛАТА

⚠ УПОЗОРЕЊЕ:

- Увек будите сигурни да је алат искључен и да је акумулатор скинут пре подешавања или провере функције на алату. Уколико не искључите алат и не скинете акумулатор, може да дође до озбиљних телесних повреда услед случајног покретања алата.

Постављање или скидање акумулатора

слика1

⚠ ПАЖЊА:

- Увек искључите алат пре убацивања или уклањања акумулатора.
- Чврсто држите алат и кертриџ батерије приликом инсталирања или уклањања кертриџа батерије. Ако не budete чврсто држали алат и кертриџ батерије, могу да вам исклизну из руку, што може да доведе до оштећења алата и кертриџа батерије, као и телесних повреда.

Да бисте уклонили акумулатор, избаците га из алата притиском на тастер на предњој страни акумулатора. За постављање кертриџа батерије, поравнајте језичак на кертриџу батерије са жлебом на кућишту и убаците га. Убаците га у потпуности док не легне у на место и благо се зачује клик. Ако можете видети црвени индикатор на горњој страни тастера, кертриџ није у потпуности у исправној позицији.

⚠ ПАЖЊА:

- Увек поставите кертриџ батерије у потпуности тако да се црвени индикатор не види. У супротном, случајно може испасти из алата, изазивајући повреду код вас или особе у вашој близини.
- Немојте на силу да инсталирате кертриџ батерије. Ако кертриџ не легне у позицију једноставно, не постављате га исправно.

Систем за заштиту акумулатора (литијум-јонска батерија за ознаком звездице)

слика2

Литијум-јонске батерије са ознаком звездице су опремљене системом за заштиту. Овај систем аутоматски прекида напајање алата како би продужио трајање батерије.

Алат ће аутоматски прекинути са радом ако се алат и/или акумулатор ставе у једно од следећих стања:

- Преоптерећење:
Алатом се управља на начин који доводи до трошења абнормалне количине струје. У овој ситуацији, померите клизни прекидач на алату у положај „О (ИСКЉУЧЕНО)“ и престаните са употребом која је довела до

преоптерећења алата. Затим вратите клизни прекидач у положај „I (УКЉУЧЕНО)“ да бисте поново покренули алат.

Ако алат не почне са радом, акумулатор је прегрејан. У овој ситуацији пустите да се акумулатор охлади пре него што опет померите клизни прекидач у положај „I (УКЉУЧЕНО)“.

- Низак напон батерије:

Преостали капацитет акумулатора је пренизак и алат неће функционисати. У овој ситуацији, извадите и напуните акумулатор.

Заштита од прегревања

Када је алат преоптерећен и температура алата достигне одређени степен, алат се аутоматски зауставља. У овој ситуацији, пустите да се алат охлади пре поновног укључивања алата.

Функционисање прекидача

слика3

⚠ ПАЖЊА:

- Пре прикључивања акумулатора на алат увек проверите да ли је алат искључен.

Да бисте покренули алат, померите клизни прекидач према положају „I (УКЉУЧЕНО)“.

Да бисте зауставили алат, померите клизни прекидач према положају „О (ИСКЉУЧЕНО)“.

Подешавање брзине кружних удара

слика4

Брзину кружних удара можете да подесите. Да бисте променили брзину кружних удара, окрените бројчаник између 1 и 6. Што је број већи, већа је брзина кружних удара. Унапред подесите бројчаник на број који је одговарајући за предмет обраде.

НАПОМЕНА:

- Бројчаник није могуће окренути директно са 1 на 6 нити са 6 на 1. Примењивање силе на бројчаник може да оштети алат. Када мењате смер бројчаника, увек окрените бројчаник мемерајући га кроз све бројеве између.

Индикаторска лампица

слика5

- Када се преостали капацитет акумулатора смањи пали се светлосни индикатор.
- Када се преостали капацитет акумулатора значајно смањи, алат се зауставља током рада и светлосни индикатор светли око 10 секунди. Затим извадите акумулатор из алата и напуните га.

МОНТАЖА

⚠ ПАЖЊА:

- Пре подешавања или провере функција алата увек проверите да ли је алат искључен и акумулатор одвојен пре обављања било каквог посла на алату.

Монтажа или уклањање наменског алата (додатни прибор)

⚠ УПОЗОРЕЊЕ:

- Наменски алат немојте да монтирате наопако. Монтирањем наменског алата наопако може да се оштети алат и да дође до озбиљних телесних повреда.
- Монтирајте додатни алат у исправном правцу према радном задатку. Наменски алат може да монтирате под углом на сваких 30 степени.

⚠ ПАЖЊА:

- Будите пажљиви док затварате полуку за закључавање. Полука за закључавање може изненада да се затвори и укљешти вам прст.
 - Повремено очистите прашину и обавите подмазивање покретних делова полуке за закључавање. У супротном прашина може да се нагомила у покретном делу полуке за закључавање и тиме спречи неометано кретање.
 - Немојте да покрећете алат док је полука отворена. То може да доведе до оштећења алата.
- Потпуно отворите полуку за закључавање. Затим уклоните завртањ држач.

слика6

- Ставите наменски алат (додатни прибор) на прирубницу алата тако да се избочине прирубнице алата уклопе у отворе на наменском алату.

слика7

- Гурајте завртањ држач док се не заустави. А затим вратите полуку за закључавање у првобитни положај.

слика8

Када користите наменски алат за шмирглање, монтирајте наменски алат на брусну плочу тако да одговара смеру брусне плоче.

Брусна плоча поседује систем монтаже типа чичка, који омогућава једноставно и брзо монтирање брусног папира.

С обзиром на то да брусни папири имају отворе за избацивање прашине, брусни папир монтирајте тако да се отвори на њему подударају са отворима на брусној плочи.

Да бисте скинули брусни папир, подигните његову ивицу и одлепите га.

Да бисте скинули завртањ држач, поступите по корацима упутства за монтажу, али по обрнутом редоследу.

слика9

Када користите наменске алате са различитим типом дела за монтажу, користите одговарајући адаптер (додатни прибор).

РАД

⚠ УПОЗОРЕЊЕ:

- Пре покретања алата и током рада немојте да приближавате руку и лице наменском алату.

⚠ ПАЖЊА:

- Немојте превише да оптерећујете алат јер то може да доведе до блокаде мотора и заустављања алата.

Резање, тестерисање и стругање

⚠ ПАЖЊА:

- Немојте на силу да померате алат у смеру (тј. према било којој страни) примене алата без резне ивице. То може да оштети алат.

слика10

Ставите наменски алат на предмет обраде.

Затим померите алат унапред тако да се кретање наменског алата не успорава.

НАПОМЕНА:

- Прејаки притисак на алат може да умањи ефикасност.
- Пре поступка резања препоручује се да унапред подесите брзину кружног удара на 4 до 6.
- Уклоните опилке адекватним повлачењем алата. На тај начин се повећава ефикасност посла.
- Округла тестера се препоручује за резање дугачке равне линије.

Шмирглање

⚠ ПАЖЊА:

- Брусни папир коришћен за шмирглање метала немојте поново да користите за шмирглање дрвета.
- Немојте да користите похабани брусни папир или брусни папир без гранулације.

слика11

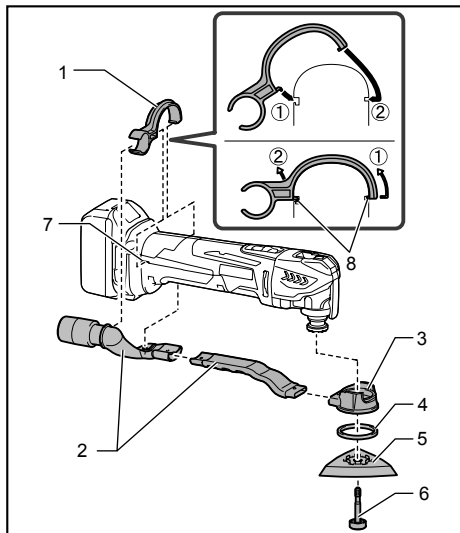
Наслоните брусни папир на предмет обраде.

НАПОМЕНА:

- Коришћење узорка за тестирање материјала ради испробавања препоручује се ради утврђивања брзине кружних удара одговарајуће за ваш посао.

- Користите брусни папир исте гранулације док не завршите шмирглање читавог предмета обраде. Замена брусног папира папиром другачије гранулације можда неће довести до fine завршне обраде.

Додатак за избацивање прашине (додатни прибор)



1. Обруч за одвод
2. Млазница за прашину
3. Додатак за прашину
4. Филцани прстен
5. Подметач
6. Завртањ држач
7. Отвори на алату
8. Избочине на обручу за одвод

014561

- Монтирајте млазнице и додатак за прашину.
- Монтирајте обруч за одвод на алат тако да се његове избочине уклопе у отворе на алату како би га причврстиле.
- Ставите филцани прстен и брусну плочу на додатак за прашину, а затим из причврстите помоћу завртња за монтирање наменског алата.

слика12

Када желите да обавите операцију чишћења, повежите усисивач на алат. Повежите црево усисивача на додатак за избацивање прашине (додатни прибор).

ОДРЖАВАЊЕ

⚠ ПАЖЊА:

- Пре него што почнете с прегледом или одржавањем алата, акумулатор се вади а утикач извучен из утичнице.
- Немојте да користите нафту, бензин, разређивач, алкохол и слично. Могу се појавити губитак боје, деформација или оштећење.

За одржавање БЕЗБЕДНОСТИ и ПОУЗДАНОСТИ овог производа поправке, преглед и замену угљених четкица, као и сваки друго одржавање и подешавања треба обављати у овлашћеном сервису Makita, уз искључиву употребу оригиналних резервних делова Makita.

ОПЦИОНИ ДОДАТНИ ПРИБОР

⚠ ПАЖЊА:

- Ова опрема и прибор намењени су за употребу са алатом Makita описаним у овом упутству за употребу. Употреба друге опреме и прибора може да доведе до повреда. Делове прибора или опрему користите само за предвиђену намену.

Да бисте сазнали детаље у вези са овим додатним прибором обратите се локалном сервисном центру Makita.

- Сегментно сечиво тестере
- Округло сечиво тестере
- Сечиво тестере са чеоним глодањем
- Стругач (чврсти)
- Стругач (савитљиви)
- Назубљено сегментно сечиво
- Општи секач спојница
- „НМ“ скидач
- „НМ“ сегментно сечиво тестере
- „НМ“ плоча за шмирглање
- Дијамантско сегментно сечиво тестере
- Брусна плоча
- Адаптер
- Делта брусни папир (црвени/бели/црни)
- Делта филц (средњи/груби/без гранулације)
- Делта филц за полирање
- Имбус кључ
- Додатак за избацивање прашине
- Makita оригинална батерија и пуњач

НАПОМЕНА:

- Поједине ставке на листи могу бити укључене у садржај паковања алата као стандардна опрема. Могу се разликовати од земље до земље.

РУССКИЙ ЯЗЫК (Оригинальная инструкция)

Объяснения общего плана

1-1. Кнопка	4-1. Регулятор со шкалой	7-2. Отверстия в приспособлении
1-2. Красный индикатор	5-1. Индикаторная лампа	7-3. Выступы на фланце инструмента
1-3. Блок аккумулятора	6-1. Фиксирующий болт	9-1. Переходник
2-1. Звездочка	6-2. Рычаг блокировки	
3-1. Ползунковый переключатель	7-1. Фиксирующий болт	

ТЕХНИЧЕСКИЕ ХАРАКТЕРИСТИКИ

Модель		DTM41		DTM51	
Колебаний в минуту		6 000 - 20 000 (мин ⁻¹)			
Угол отклонения, влево/вправо		1,6 ° (3,2 ° в сумме)			
Стандартный аккумуляторный блок		BL1430/ BL1440	BL1415 *	BL1830/ BL1840	BL1815 */ BL1815N *
Общая длина		340 мм	326 мм	340 мм	326 мм
Вес нетто	без насадки для удаления пыли	2,1 кг	2,0 кг	2,2 кг	2,0 кг
	с насадкой для удаления пыли	2,2 кг	2,1 кг	2,3 кг	2,1 кг
Номинальное напряжение		14,4 В пост. Тока		18 В пост. Тока	

*ПРИМЕЧАНИЕ: Для непрерывной работы инструмента рекомендуется использовать аккумуляторные блоки повышенной емкости BL1430, BL1440, BL1830 и BL1840.

- Благодаря нашей постоянно действующей программе исследований и разработок, указанные здесь технические характеристики могут быть изменены без предварительного уведомления.
- Технические характеристики и аккумуляторный блок могут отличаться в зависимости от страны.
- Масса (с аккумуляторным блоком) в соответствии с процедурой EPTA 01.2003

Назначение

Инструмент предназначен для распиливания и резки древесины, пластика, гипса, цветных металлов и элементов крепления (например, незакаленные гвозди и скобы). Он также предназначен для работы с мягкой стеновой плиткой, а также для сухой шлифовки и зачистки небольших поверхностей. Он особенно удобен при работе рядом с краем и обрезке заподлицо.

ENE080-1

Рабочий режим: Резка диском для врезного распила

Модель DTM41

Уровень звукового давления (L_{pA}): 80 дБ (A)
Уровень звуковой мощности (L_{WA}): 91 дБ (A)
Погрешность (K): 3 дБ (A)

Модель DTM51

Уровень звукового давления (L_{pA}): 81 дБ (A)
Уровень звуковой мощности (L_{WA}): 92 дБ (A)
Погрешность (K): 3 дБ (A)

Шум

Типичный уровень взвешенного звукового давления (A), измеренный в соответствии с EN60745:

ENG905-1

Рабочий режим: Резка сегментным диском

Рабочий режим: Шлифование

Модель DTM41

Уровень звукового давления (L_{pA}): 76 дБ (A)
Погрешность (K): 3 дБ (A)

Уровень шума при выполнении работ может превышать 80 дБ (A).

Модель DTM51

Уровень звукового давления (L_{pA}): 77 дБ (A)
Погрешность (K): 3 дБ (A)

Уровень шума при выполнении работ может превышать 80 дБ (A).

Модель DTM41

Уровень звукового давления (L_{pA}): 77 дБ (A)
Погрешность (K): 3 дБ (A)

Уровень шума при выполнении работ может превышать 80 дБ (A).

Модель DTM51

Уровень звукового давления (L_{pA}): 76 дБ (A)
Погрешность (K): 3 дБ (A)

Уровень шума при выполнении работ может превышать 80 дБ (A).

Рабочий режим: Зачистка

Модель DTM41

Уровень звукового давления (L_{pA}): 78 дБ (A)

Погрешность (K): 3 дБ (A)

Уровень шума при выполнении работ может превышать 80 дБ (A).

Модель DTM51

Уровень звукового давления (L_{pA}): 80 дБ (A)

Уровень звуковой мощности (L_{WA}): 91 дБ (A)

Погрешность (K): 3 дБ (A)

Используйте средства защиты слуха

Вибрация

ENG900-1

Суммарное значение вибрации (сумма векторов по трем осям) определяется по следующим параметрам EN60745:

Модель DTM41

Рабочий режим: шлифовка

Распространение вибрации (a_h): 3,0 м/с²

Погрешность (K): 1,5 м/с²

Модель DTM51

Рабочий режим: шлифовка

Распространение вибрации (a_h): 3,0 м/с²

Погрешность (K): 1,5 м/с²

Модель DTM41

Рабочий режим: резание с помощью диска для врезного распила

Распространение вибрации (a_h): 7,0 м/с²

Погрешность (K): 1,5 м/с²

Модель DTM51

Рабочий режим: резание с помощью диска для врезного распила

Распространение вибрации (a_h): 7,0 м/с²

Погрешность (K): 1,5 м/с²

Модель DTM41

Рабочий режим: резка сегментным диском

Распространение вибрации (a_h): 4,5 м/с²

Погрешность (K): 1,5 м/с²

Модель DTM51

Рабочий режим: резка сегментным диском

Распространение вибрации (a_h): 4,5 м/с²

Погрешность (K): 1,5 м/с²

Модель DTM41

Рабочий режим: зачистка

Распространение вибрации (a_h): 5,0 м/с²

Погрешность (K): 1,5 м/с²

Модель DTM51

Рабочий режим: зачистка

Распространение вибрации (a_h): 5,5 м/с²

Погрешность (K): 1,5 м/с²

ENG901-1

- Заявленное значение распространения вибрации измерено в соответствии со стандартной методикой испытаний и может быть использовано для сравнения инструментов.
- Заявленное значение распространения вибрации можно также использовать для предварительных оценок воздействия.

⚠ ПРЕДУПРЕЖДЕНИЕ:

- Распространение вибрации во время фактического использования электроинструмента может отличаться от заявленного значения в зависимости от способа применения инструмента.
- Обязательно определите меры безопасности для защиты оператора, основанные на оценке воздействия в реальных условиях использования (с учетом всех этапов рабочего цикла, таких как выключение инструмента, работа без нагрузки и включение).

ENH101-17

Только для европейских стран

Декларация о соответствии ЕС

Makita заявляет, что следующее устройство (устройства):

Обозначение устройства:

Аккумуляторный Универсальный Резак

Модель / тип: DTM41, DTM51

Соответствует (-ют) следующим директивам ЕС:
2006/42/EC

Изготовлены в соответствии со следующим стандартом или нормативными документами:

EN60745

Технический файл в соответствии с документом 2006/42/EC доступен по адресу:

Makita, Jan-Baptist Vinkstraat 2, 3070, Belgium

18.7.2013



000331

Ясуси Фукайа (Yasushi Fukaya)

Директор

Makita, Jan-Baptist Vinkstraat 2, 3070, Belgium

Общие рекомендации по технике безопасности для электроинструментов

⚠ ПРЕДУПРЕЖДЕНИЕ Ознакомьтесь со всеми инструкциями и рекомендациями по технике безопасности. Невыполнение инструкций и рекомендаций может привести к поражению электротоком, пожару и/или тяжелым травмам.

Сохраните брошюру с инструкциями и рекомендациями для дальнейшего использования.

ПРАВИЛА ТЕХНИКИ БЕЗОПАСНОСТИ ПРИ ОБРАЩЕНИИ С БЕСПРОВОДНЫМ УНИВЕРСАЛЬНЫМ ИНСТРУМЕНТОМ

1. Данный электроинструмент предназначен для распиливания, резки, шлифовки и зачистки. Ознакомьтесь со всеми представленными инструкциями по технике безопасности, указаниями, иллюстрациями и техническими характеристиками, прилагаемыми к данному инструменту. Несоблюдение всех инструкций, указанных ниже, может привести к поражению электрическим током, пожару и/или серьезной травме.
2. Если при выполнении работ существует риск контакта режущего инструмента со скрытой электропроводкой, держите электроинструмент за специально предназначенные изолированные поверхности. Контакт с проводом под напряжением приведет к тому, что металлические детали инструмента также будут под напряжением, что приведет к поражению оператора электрическим током.
3. Для фиксации разрезаемой детали на устойчивой поверхности используйте зажимы или другие соответствующие приспособления. Никогда не держите распиливаемые детали в руках и не прижимайте их к телу, так как это не обеспечит устойчивого положения детали и может привести к потере контроля над инструментом.
4. Всегда надевайте защитные очки или защитную маску для лица. Обычные или солнцезащитные очки НЕ ЯВЛЯЮТСЯ защитными очками.
5. Избегайте попадания режущего инструмента на гвозди. Перед пилением осмотрите деталь и убедитесь в отсутствии гвоздей.
6. Крепко держите инструмент.
7. Перед включением выключателя убедитесь, что приспособление не касается детали.
8. Руки должны находиться на расстоянии от движущихся деталей.
9. Не оставляйте работающий инструмент без присмотра. Включайте инструмент только тогда, когда он находится в руках.
10. Перед извлечением полотна из детали всегда выключайте инструмент и ждите остановки движения полотна.
11. Сразу после окончания работ не прикасайтесь к приспособлению или детали. Они могут быть очень горячими, что приведет к ожогам кожи.
12. Без необходимости не эксплуатируйте инструмент без нагрузки.
13. Всегда используйте соответствующую пылезаститную маску/респиратор для защиты дыхательных путей от пыли разрезаемых материалов.
14. Некоторые материалы могут содержать токсичные химические вещества. Примите соответствующие меры предосторожности, чтобы избежать вдыхания или контакта с кожей таких веществ. Соблюдайте требования, указанные в паспорте безопасности материала.
15. Данный инструмент не является водонепроницаемым, поэтому не следует использовать воду на поверхности обрабатываемой детали.
16. При выполнении шлифовки обеспечьте хорошую вентиляцию места работ.
17. Использование данного инструмента для шлифовки некоторых материалов, краски и древесины может привести к воздействию на пользователя пыли, содержащей опасные вещества. Используйте соответствующие средства защиты дыхания.
18. Перед использованием убедитесь, в отсутствии трещин или разломов в платформе. Трещины или разломы могут привести к травме.
19. Не используйте принадлежности других производителей, не рекомендованные производителем данного инструмента. Даже если принадлежность удастся закрепить на инструменте, это не обеспечит безопасную эксплуатацию.
20. Надевайте средства индивидуальной защиты. В зависимости от выполняемой операции надевайте предохранительный щиток для лица, защитные очки или защитную маску. При необходимости

используйте средства защиты слуха, перчатки и рабочий фартук, способный защитить от маленьких фрагментов абразива или заготовки. Средства защиты глаз должны быть способны остановить осколки, разлетающиеся при различных операциях. Противопылевая маска или респиратор должны задерживать частицы, образующиеся при работе. Продолжительное воздействие громкого шума может привести к потере слуха.

21. **Посторонние должны находиться на безопасном расстоянии от рабочего места. Любой приближающийся к рабочему месту должен предварительно надеть индивидуальные средства защиты.** Осколки заготовки или сломавшейся принадлежности могут разлететься и причинить травму даже на значительном удалении от рабочего места.
22. **Не кладите инструмент, пока принадлежность полностью не остановится.** Вращающаяся насадка может коснуться поверхности, и вы не удержите инструмент.
23. **Не включайте электроинструмент во время переноски.** В результате случайного контакта приспособление может зацепить одежду и нанести серьезную травму.
24. **Не используйте инструмент вблизи горючих материалов.** Эти материалы могут воспламениться от искр.
25. **Не используйте принадлежности, требующие жидкостного охлаждения.** Использование воды или других охлаждающих жидкостей может привести к поражению электротоком.
26. **Перед выполнением каких-либо работ с инструментом обязательно убедитесь, что он выключен и отключен от сетевой розетки, или что с него снята аккумуляторная батарея.**
27. **При выполнении работ всегда занимайте устойчивое положение. При использовании инструмента на высоте убедитесь в отсутствии людей внизу.**

СОХРАНИТЕ ДАННЫЕ ИНСТРУКЦИИ.

⚠️ ПРЕДУПРЕЖДЕНИЕ:

НЕ ДОПУСКАЙТЕ, чтобы удобство или опыт эксплуатации данного устройства (полученный от многократного использования) доминировали над строгим соблюдением правил техники безопасности при обращении с этим устройством. **НЕПРАВИЛЬНОЕ ИСПОЛЬЗОВАНИЕ** инструмента или несоблюдение правил техники безопасности, указанных в данном руководстве, может привести к тяжелой травме.

ВАЖНЫЕ ИНСТРУКЦИИ ПО ТЕХНИКЕ БЕЗОПАСНОСТИ

ДЛЯ АККУМУЛЯТОРНОГО БЛОКА

1. **Перед использованием аккумуляторного блока прочитайте все инструкции и предупреждающие надписи на (1) зарядном устройстве, (2) аккумуляторном блоке и (3) инструменте, работающем от аккумуляторного блока.**
2. **Не разбирайте аккумуляторный блок.**
3. **Если время работы аккумуляторного блока значительно сократилось, немедленно прекратите работу. В противном случае, может возникнуть перегрев блока, что приведет к ожогам и даже к взрыву.**
4. **В случае попадания электролита в глаза, промойте их обильным количеством чистой воды и немедленно обратитесь к врачу. Это может привести к потере зрения.**
5. **Не замыкайте контакты аккумуляторного блока между собой:**
 - (1) **Не прикасайтесь к контактам какими-либо токопроводящими предметами.**
 - (2) **Не храните аккумуляторный блок в контейнере вместе с другими металлическими предметами, такими как гвозди, монеты и т. п.**
 - (3) **Не допускайте попадания на аккумуляторный блок воды или дождя.****Замыкание контактов аккумуляторного блока между собой может привести к возникновению большого тока, перегреву, возможным ожогам и даже разрыву блока.**
6. **Не храните инструмент и аккумуляторный блок в местах, где температура может достигать или превышать 50 ° C (122 ° F).**
7. **Не бросайте аккумуляторный блок в огонь, даже если он сильно поврежден или полностью вышел из строя. Аккумуляторный блок может взорваться под действием огня.**
8. **Не роняйте и не ударяйте аккумуляторный блок.**
9. **Не используйте поврежденный аккумуляторный блок.**
10. **Выполняйте требования местного законодательства относительно утилизации аккумуляторного блока.**

СОХРАНИТЕ ДАННЫЕ ИНСТРУКЦИИ.

Советы по обеспечению максимального срока службы аккумуляторного блока

1. Заряжайте аккумуляторный блок до того, как он полностью разрядится.
В случае потери мощности при эксплуатации инструмента, прекратите работу и зарядите аккумуляторный блок.
2. Никогда не заряжайте полностью заряженный аккумуляторный блок.
Перезарядка сокращает срок службы блока.
3. Заряжайте аккумуляторный блок при комнатной температуре в пределах от 10 ° C до 40 ° C (от 50 ° F до 104 ° F). Перед зарядкой дайте горячему аккумуляторному блоку остыть.
4. Если инструмент не используется в течение длительного времени, заряжайте аккумуляторный блок один раз в шесть месяцев.

ОПИСАНИЕ ФУНКЦИОНИРОВАНИЯ

⚠️ ПРЕДУПРЕЖДЕНИЕ:

- Перед регулировкой или проверкой инструмента обязательно убедитесь, что он выключен и его аккумуляторный блок снят. Несоблюдение этого требования может стать причиной тяжелой травмы из-за случайного включения инструмента.

Установка или снятие блока аккумулятор

Рис.1

⚠️ ПРЕДУПРЕЖДЕНИЕ:

- Обязательно выключайте инструмент перед установкой и извлечением аккумуляторного блока.
- При установке или снятии аккумуляторного блока надежно удерживайте инструмент и аккумуляторный блок. Иначе инструмент или аккумуляторный блок могут выскользнуть из рук, что может привести к травмам или повреждению инструмента и аккумуляторного блока.

Для снятия аккумуляторного блока нажмите кнопку на лицевой стороне и извлеките блок.

Для установки аккумуляторного блока совместите выступ блока с пазом в корпусе и задвиньте его на место. Устанавливайте блок до упора так, чтобы он зафиксировался на месте с небольшим щелчком. Если вы можете видеть красный индикатор на верхней части клавиши, аккумуляторный блок не полностью установлен на месте.

⚠️ ПРЕДУПРЕЖДЕНИЕ:

- Обязательно устанавливайте аккумуляторный блок до конца, чтобы красный индикатор не был виден. В противном случае аккумуляторный блок может выпасть из инструмента и нанести травму вам или другим людям.
- Не прилагайте чрезмерных усилий при установке аккумуляторного блока. Если блок не двигается свободно, значит он вставлен неправильно.

Система защиты аккумуляторной батареи (ионно-литиевый аккумуляторный блок со звездочкой)

Рис.2

В ионно-литиевых аккумуляторных блоках со звездочкой предусмотрена система защиты. Она автоматически отключает питание для продления срока службы аккумуляторного блока.

Инструмент автоматически остановится во время работы при возникновении указанных ниже ситуаций:

- Перегрузка:

Из-за способа эксплуатации инструмент потребляет очень большое количество тока. В этом случае переместите сдвижной переключатель на инструменте в положение "О (OFF)" (Выкл.) и прекратите использование, повлекшее перегрузку инструмента. Затем снова переместите сдвижной переключатель в положение "I (ON)" (Вкл.) для повторного запуска.

Если инструмент не включается, значит, перегрелся аккумуляторный блок. В этом случае дайте аккумулятору остыть, прежде чем снова перемещать сдвижной переключатель в положение "I (ON)" (Вкл.).

- Низкое напряжение аккумуляторной батареи: Уровень оставшегося заряда аккумулятора слишком низкий и инструмент не работает. В этом случае снимите и зарядите аккумуляторный блок.

Защита от перегрева

При перегрузке инструмента и повышении его температуры до определенного уровня инструмент автоматически отключается. В этом случае дайте инструменту остыть перед повторным включением.

Действие выключателя

Рис.3

⚠ПРЕДУПРЕЖДЕНИЕ:

- Перед установкой блока аккумуляторной батареи в инструмент обязательно убедитесь, что инструмент выключен.

Для включения инструмента переместите сдвижной переключатель в положение "I (ON)" (Вкл.).

Для выключения инструмента переместите сдвижной переключатель в положение "О (OFF)" (Выкл.).

Настройка количества орбитальных ходов

Рис.4

Количество орбитальных ходов можно регулировать. Чтобы изменить количество орбитальных ходов, поверните регулятор со шкалой в положение от 1 до 6. Чем выше число, тем будет больше орбитальных ходов. Предварительно установите регулятор со шкалой на число, необходимое для обрабатываемой детали.

Примечание:

- Регулятор со шкалой невозможно мгновенно повернуть с 1 до 6 и с 6 до 1. Приложение усилий на регулятор может привести к повреждению инструмента. При изменении направления вращения регулятора обязательно прокрутите его через каждое промежуточное число.

Индикатор

Рис.5

- Когда оставшийся заряд аккумулятора станет небольшим, индикатор начинает мигать.
- Если оставшийся заряд аккумулятора станет критически низким, инструмент выключится во время эксплуатации и индикатор включится примерно на 10 секунд.

Снимите аккумуляторный блок с инструмента и зарядите его.

МОНТАЖ

⚠ПРЕДУПРЕЖДЕНИЕ:

- Перед проведением каких-либо работ с инструментом всегда проверяйте, что инструмент отключен, а блок аккумуляторов снят.

Установка или снятие приспособления (дополнительная принадлежность)

⚠ПРЕДУПРЕЖДЕНИЕ:

- Не устанавливайте приспособление в перевернутом положении. Несоблюдение данного требования может привести к повреждению инструмента и серьезным травмам оператора.
- Установите приспособление в правильном направлении в соответствии с проводимыми работами. Угол наклона приспособления регулируется с шагом 30 градусов.

⚠ПРЕДУПРЕЖДЕНИЕ:

- Соблюдайте осторожность при закрытии стопорного рычага. Стопорный рычаг может внезапно сложиться и защемить палец.
 - Периодически очищайте от пыли и смазывайте подвижную часть стопорного рычага. В противном случае в подвижной части стопорного рычага может скопиться пыль, которая будет мешать его движению.
 - Не включайте инструмент с открытым рычагом. Это может привести к поломке инструмента.
1. Полностью откройте стопорный рычаг. Затем извлеките фиксирующий болт.

Рис.6

2. Установите приспособление (дополнительная принадлежность) на фланец инструмента так, чтобы выступы на фланце инструмента совпали с отверстиями в приспособлении.

Рис.7

3. Вставьте фиксирующий болт до упора. Затем верните стопорный рычаг в исходное положение.

Рис.8

При использовании шлифовального приспособления установите его на шлифовальный фланец так, чтобы оно соответствовало направлению движения фланца.

На шлифовальном фланце предусмотрена застёжка «липучка», которая позволяет быстро и удобно установить наждачную бумагу.

Так как в наждачной бумаге есть отверстия для удаления пыли, установите бумагу таким образом, чтобы отверстия на бумаге совпали с отверстиями на фланце.

Для снятия наждачной бумаги поднимите ее за край и отделите.

Чтобы извлечь фиксирующий болт, выполните процедуру установки в обратной последовательности.

Рис.9

При использовании приспособлений с установочными узлами разного типа применяйте соответствующий адаптер (поставляется отдельно).

ЭКСПЛУАТАЦИЯ

⚠️ ПРЕДУПРЕЖДЕНИЕ:

- Перед запуском инструмента и во время эксплуатации лицо и руки оператора должны не находиться рядом с приспособлением.

⚠️ ПРЕДУПРЕЖДЕНИЕ:

- Не прилагайте излишних усилий на инструмент – это может привести к блокировке электродвигателя и остановке инструмента.

Резка, распиливание и зачистка

⚠️ ПРЕДУПРЕЖДЕНИЕ:

- Не прилагайте чрезмерных усилий при перемещении инструмента в направлении его работы (например, в одну из сторон) без режущей кромки. Это может привести к повреждению инструмента.

Рис.10

Установите приспособление на деталь.

Затем перемещайте инструмент вперед, чтобы не замедлять движения приспособления.

Примечание:

- Приложение излишних усилий на инструмент может снизить эффективность работы.
- Для резки материалов перед началом работ рекомендуется установить количество орбитальных ходов на значение 4 - 6.
- Регулярно удаляйте опилки из инструмента. Это повышает эффективность работы.
- Круглый диск рекомендуется использовать для длинных прямолинейных разрезов.

Шлифование

⚠️ ПРЕДУПРЕЖДЕНИЕ:

- Для шлифовки древесины запрещается повторно использовать наждачную бумагу, которая применялась для шлифовки металла.
- Запрещается использовать изношенную наждачную бумагу или бумагу без абразивной крошки.

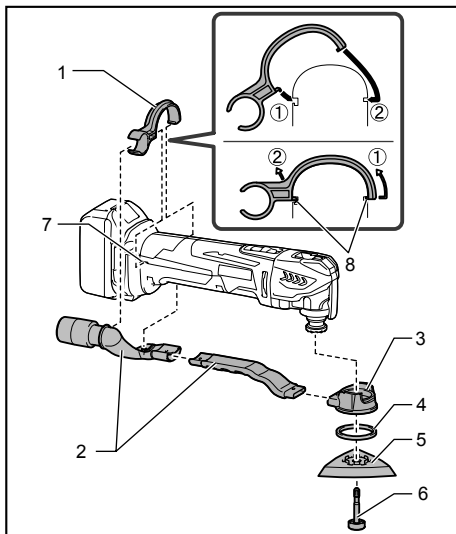
Рис.11

Поместите наждачную бумагу на деталь.

Примечание:

- Рекомендуется использовать образец материала для определения необходимого количества орбитальных ходов.
- На протяжении процесса шлифования детали используйте наждачную бумагу одной и той же зернистости. Замена наждачной бумаги на бумагу другой зернистости может ухудшить качество работы.

Насадка для удаления пыли (дополнительное приспособление)



1. Насадка
2. Пылесборный патрубок
3. Пылезаситное приспособление
4. Фетровое кольцо
5. Опорная пластина
6. Фиксирующий болт
7. Отверстия в инструменте
8. Выступы на насадке

014561

- Установите пылесборные насадки и пылезащитное приспособление.
- Для надежной фиксации установите насадку на инструмент так, чтобы ее выступы совпали с отверстиями на инструменте.
- Установите фетровое кольцо и шлифовальный фланец на пылезащитное приспособление, а затем зафиксируйте их установочным болтом приспособления.
- Режущий инструмент общего назначения для швов
- Приспособление для удаления НМ
- Сегментный режущий диск НМ
- Шлифовальная пластина НМ
- Алмазный сегментный режущий диск
- Шлифовальный фланец
- Адаптер
- Треугольная шлифовальная шкурка (красная/белая/черная)
- Треугольный кусок ткани с ворсом (средний / грубый / без абразивных частиц)
- Треугольный кусок полировочного войлока
- Шестигранный ключ
- Насадка для удаления пыли
- Оригинальный аккумулятор и зарядное устройство Makita

Рис.12

Для обеспечения чистоты при работе подключите пылесос к инструменту. Подсоедините шланг пылесоса к насадке для удаления пыли (дополнительное приспособление).

ТЕХОБСЛУЖИВАНИЕ

⚠ ПРЕДУПРЕЖДЕНИЕ:

- Перед проведением проверки или работ по техобслуживанию, всегда проверяйте, что инструмент выключен, а блок аккумуляторов вынут.
- Запрещается использовать бензин, лигроин, растворитель, спирт и т.п. Это может привести к изменению цвета, деформации и появлению трещин.

Для обеспечения БЕЗОПАСНОСТИ и НАДЕЖНОСТИ изделия ремонт, проверка и замена угольных щеток и любые другие работы по техобслуживанию или регулировке должны осуществляться в уполномоченных сервис-центрах Makita с использованием запасных частей только производства компании Makita.

ДОПОЛНИТЕЛЬНЫЕ ПРИНАДЛЕЖНОСТИ

⚠ ПРЕДУПРЕЖДЕНИЕ:

- Эти принадлежности или насадки рекомендуется использовать вместе с вашим инструментом Makita, описанным в данном руководстве. Использование каких-либо других принадлежностей или насадок может представлять опасность получения травм. Используйте принадлежность или насадку только по указанному назначению.

Если вам необходимо содействие в получении дополнительной информации по этим принадлежностям, свяжитесь со своим местным сервис-центром Makita.

- Сегментный режущий диск
- Круглый режущий диск
- Режущий диск для врезного распила
- Шабер (жесткий)
- Шабер (гибкий)
- Зубчатый сегментный диск

Примечание:

- Некоторые элементы списка могут входить в комплект инструмента в качестве стандартных приспособлений. Они могут отличаться в зависимости от страны.

УКРАЇНСЬКА (Оригінальні інструкції)

Пояснення до загального виду

1-1. Кнопка	4-1. Диск	7-2. Отвори в насадці
1-2. Червоний індикатор	5-1. Лампочка індикатора	7-3. Виступи на фланці інструмента
1-3. Касета з акумулятором	6-1. Утримувальний болт	9-1. Адаптер
2-1. Маркувальна зірочка	6-2. Стопорний важіль	
3-1. Повзунковий перемикач	7-1. Утримувальний болт	

ТЕХНІЧНІ ХАРАКТЕРИСТИКИ

Модель		DTM41		DTM51	
Коливань на хвилину		6000 - 20000 (хв ⁻¹)			
Кут коливання, вліво/вправо		1,6 ° (3,2 ° усього)			
Стандартна касета з акумулятором		BL1430/ BL1440	BL1415 *	BL1830/ BL1840	BL1815 */ BL1815N *
Загальна довжина		340 мм	326 мм	340 мм	326 мм
Чиста вага	без насадки для пиловидалення	2,1 кг	2,0 кг	2,2 кг	2,0 кг
	з насадкою для пиловидалення	2,2 кг	2,1 кг	2,3 кг	2,1 кг
Номінальна напруга		14,4 В пост. струму		18 В пост. струму	

* ПРИМІТКА: Для безперервної роботи рекомендується використовувати касету акумулятора високої ємності: BL1430, BL1440, BL1830 або BL1840.

- Через те, що ми не припиняємо програми досліджень і розвитку, наведені тут технічні характеристики можуть бути змінені без попередження.
- Технічні характеристики приладу та касета з акумулятором можуть відрізнятися в різних країнах.
- Вага разом з касетою з акумулятором відповідно до EPTA-Procedure 01/2003

ENE080-1

Використання за призначенням

Цей інструмент призначений для розпилювання і різання деревини, пластика, гіпсу, кольорових металів та кріпильних елементів (наприклад, незагартованих цвяхів і скоб). Він також призначений для обробки м'якої настінної плитки, а також сухого шліфування і зачищення невеликих поверхонь. Він особливо добре підходить для роботи поблизу країв і різання урівень.

ENG905-1

Шум

Рівень шуму за шкалою А у типовому виконанні, визначений відповідно до EN60745:

Режим роботи: Шліфування

Модель DTM41

Рівень звукового тиску (L_{pA}): 76 дБ (А)

Погрішність (К): 3 дБ (А)

Рівень шуму під час роботи може перевищувати 80 дБ (А).

Модель DTM51

Рівень звукового тиску (L_{pA}): 77 дБ (А)

Погрішність (К): 3 дБ (А)

Рівень шуму під час роботи може перевищувати 80 дБ (А).

Режим роботи: Різання ріжучим полотном врізної пили

Модель DTM41

Рівень звукового тиску (L_{pA}): 80 дБ (А)

Рівень акустичної потужності (L_{WA}): 91 дБ (А)

Похибка (К): 3 дБ (А)

Модель DTM51

Рівень звукового тиску (L_{pA}): 81 дБ (А)

Рівень акустичної потужності (L_{WA}): 92 дБ (А)

Похибка (К): 3 дБ (А)

Режим роботи: Різання полотном сегментної пили

Модель DTM41

Рівень звукового тиску (L_{pA}): 77 дБ (А)

Погрішність (К): 3 дБ (А)

Рівень шуму під час роботи може перевищувати 80 дБ (А).

Модель DTM51

Рівень звукового тиску (L_{pA}): 76 дБ (А)

Погрішність (К): 3 дБ (А)

Рівень шуму під час роботи може перевищувати 80 дБ (А).

Режим роботи: Зачищення

Модель DTM41

Рівень звукового тиску (L_{pA}): 78 дБ (А)

Погришність (К): 3 дБ (А)

Рівень шуму під час роботи може перевищувати 80 дБ (А).

Модель DTM51

Рівень звукового тиску (L_{pA}): 80 дБ (А)

Рівень акустичної потужності (L_{WA}): 91 дБ (А)

Похибка (К): 3 дБ (А)

Користуйтеся засобами захисту слуху

ENG900-1

Вібрація

Загальна величина вібрації (сума трьох векторів) визначена згідно з EN60745:

Модель DTM41

Режим роботи: шліфування наждаковим папером

Вібрація (a_h): 3,0 м/с²

Похибка (К): 1,5 м/с²

Модель DTM51

Режим роботи: шліфування наждаковим папером

Вібрація (a_h): 3,0 м/с²

Похибка (К): 1,5 м/с²

Модель DTM41

Режим роботи: різання ріжучим полотном візної пили

Вібрація (a_h): 7,0 м/с²

Похибка (К): 1,5 м/с²

Модель DTM51

Режим роботи: різання ріжучим полотном візної пили

Вібрація (a_h): 7,0 м/с²

Похибка (К): 1,5 м/с²

Модель DTM41

Режим роботи: різання ріжучим полотном сегментної пили

Вібрація (a_h): 4,5 м/с²

Похибка (К): 1,5 м/с²

Модель DTM51

Режим роботи: різання ріжучим полотном сегментної пили

Вібрація (a_h): 4,5 м/с²

Похибка (К): 1,5 м/с²

Модель DTM41

Режим роботи: зачищення

Вібрація (a_h): 5,0 м/с²

Похибка (К): 1,5 м/с²

Модель DTM51

Режим роботи: зачищення

Вібрація (a_h): 5,5 м/с²

Похибка (К): 1,5 м/с²

ENG901-1

- Заявлене значення вібрації було виміряно у відповідності до стандартних методів тестування та може використовуватися для порівняння одного інструмента з іншим.
- Заявлене значення вібрації може також використовуватися для попередньої оцінки впливу.

⚠УВАГА:

- Залежно від умов використання вібрація під час фактичної роботи інструмента може відрізнятися від заявленого значення вібрації.
- Забезпечте належні запобіжні заходи для захисту оператора, що відповідатимуть умовам використання інструмента (слід брати до уваги всі складові робочого циклу, такі як час, коли інструмент вимкнено та коли він починає працювати на холостому ході під час запуску).

ENH101-17

Тільки для країн Європи

Декларація про відповідність стандартам ЄС

Компанія Makita наголошує на тому, що обладнання:

Позначення обладнання:

Акумуляторний універсальний інструмент

№ моделі/тип: DTM41, DTM51

Відповідає таким Європейським Директивам:
2006/42/EC

Обладнання виготовлене відповідно до таких стандартів або стандартизованих документів:

EN60745

Технічну інформацію відповідно до 2006/42/EC можна отримати:

Makita, Jan-Baptist Vinkstraat 2, 3070, Бельгія

18.7.2013



000331

Ясуші Фукайя

Директор

Makita, Jan-Baptist Vinkstraat 2, 3070, Бельгія

Застереження стосовно техніки безпеки при роботі з електроприладами

⚠ УВАГА! Прочитайте усі застереження стосовно техніки безпеки та всі інструкції. Недотримання даних застережень та інструкцій може призвести до ураження струмом та виникнення пожежі та/або серйозних травм.

Збережіть усі інструкції з техніки безпеки та експлуатації на майбутнє.

GBE094-2

ПОПЕРЕДЖЕННЯ ПРО НЕОБХІДНУ ОБЕРЕЖНІСТЬ ПІД ЧАС РОБОТИ З АКУМУЛЯТОРНИМ УНІВЕРСАЛЬНИМ ІНСТРУМЕНТОМ

1. Цей електроінструмент призначений для розпилювання, відрізання і шліфування. Уважно ознайомтеся з усіма попередженнями про безпеку, інструкціями, ілюстраціями та технічними характеристиками цього електроінструмента. Невиконання цих інструкцій може призвести до ураження електричним струмом, пожежі та/або до серйозних травм.
 2. Тримайте електроприлад за ізольовані поверхні держака під час виконання дії, за якої він може зачепити сховану електропроводку. Торкання ріжучим приладом струмоведучої проводки може призвести до передання напруги до оголених металевих частин інструмента та ураженню оператора електричним струмом.
 3. За допомогою лецат або інших затискних пристроїв слід надійно закріпити деталь на стійкій платформі. Утримання деталі руками або тілом не фіксує деталі та може призвести до втрати контролю.
 4. Слід завжди одягати захисні окуляри або лінзи. Звичайні окуляри або темні окуляри для захисту від сонця НЕ Є захисними окулярами.
 5. Слід уникати різання цвяхів. Перед початком роботи огляньте та заберіть усі цвяхи з деталі.
 6. Міцно тримайте інструмент.
 7. Перед увімкненням інструмента переконайтеся, що насадка не торкається робочої деталі.
8. Тримай руки на відстані від рухомих частин.
 9. Не залишайте інструмент працюючим. Працюйте з інструментом тільки тоді, коли тримаєте його в руках.
 10. Обов'язково після вимкнення інструменту заждіть доки полотно не зупиниться повністю, та лише тоді знімайте його з деталі.
 11. Не торкайтеся насадки або деталі одразу після роботи, вони можуть бути дуже гарячими, що призведе до опіку шкіри.
 12. Не слід дуже довго залишати інструмент працювати на холостому ході.
 13. Завжди використовуйте пилозахисну маску/респіратор що відповідають області застосування та матеріалу, що ви обробляєте.
 14. Деякі матеріали мають у своєму складі токсичні хімічні речовини. Будьте уважні, щоб запобігти вдихання пилу та контактів зі шкірою. Дотримуйтеся правил техніки безпеки виробника матеріалу .
 15. Цей інструмент не має гідроізоляції, тому не слід додавати води на поверхню деталі.
 16. Під час шліфування обов'язково провітрюйте приміщення.
 17. Під час шліфування цим інструментом деяких виробів, фарб та деревини можуть утворюватися небезпечні речовини з пилком. Слід користуватися відповідними засобами захисту органів подиху.
 18. Перед початком роботи перевірте, щоб підкладка не була тріснутою або пошкодженою. Тріщини або поломка можуть призвести до поранення.
 19. Не слід використовувати допоміжні приналежності, які спеціально не призначені та не рекомендовані для цього інструменту виробником. Навіть якщо вони добре приєднуються до інструменту, це не гарантує безпечної експлуатації.
 20. Слід надягати засоби індивідуального захисту. Відповідно до області застосування необхідно користуватися захисним щитком або захисними окулярами. За необхідності слід надягати засоби захисту органів слуху, рукавиці та фартух, які здатні затримувати дрібні частки деталі та абразивного матеріалу. Засоби захисту органів зору повинні бути здатними затримувати сміття, що утворюється під час виконання різних операцій. Пилозахисна маска або респіратор мають фільтрувати часточки, що утворюються під час роботи. Тривалий вплив сильного шуму може призвести до втрати слуху.

21. **Сторонні особи повинні знаходитися на небезпечному відстані від місця роботи.** Кожний, хто приходить в робочу зону повинен одягати засоби індивідуального захисту. Части деталі або уламки приладдя може відлетіти за межі безпосередньої зони роботи та поранити.
22. **Не слід класти інструмент доки прилад повністю не зупиниться.** Змотуючий пристрій може захопити шнур та вирвати його з-під контролю.
23. **Не слід запускати електроінструмент, тримаючи його збоку від себе.** У разі випадкового контакту приладдя може захопити Ваш одяг, що може призвести до серйозного поранення.
24. **Не слід працювати біля легкозаймистих матеріалів.** Вони можуть спалахнути від іскри.
25. **Не слід застосовувати допоміжне приладдя, що потребує рідких охолоджувачів.** Використання води, або рідких охолоджувачів може призвести по ураження електричним струмом або смерті.
26. **Перед здійсненням будь-яких робіт з інструментом, завжди перевіряйте, щоб інструмент було вимкнено та відключено від мережі або акумулятор був від'єднаний.**
27. **Завжди перевіряйте надійність опори.** Під час користування інструментом нагорі, слід завжди стежити, щоб нікого не було внизу.
4. **Якщо електроліт потрапив до очей, слід промити їх чистою водою та негайно звернутися за медичного закладу.** Це може призвести до втрати зору.
5. **Не закоротіть касету акумулятора.**
 - (1) **Не слід торкатися клем будь яким струмопровідним матеріалом.**
 - (2) **Не слід зберігати касету акумулятора в ємності з іншими металевими предметами, такими як цвяхи, монети і т.д.**
 - (3) **Не виставляйте касету з батареєю під дощ чи сніг.**

Коротке замикання може призвести до появи значного струму, перегріву та можливим опікам та навіть полумки.

6. **Не слід зберігати інструмент та касету з акумулятором в містах, де температура може сягнути та перевищити 50гр.° C (122° F).**
7. **Не слід спалювати касету з акумулятором навіть, якщо вона була неодноразово пошкоджена або повністю спрацьована.** Касета з акумулятором може вибухнути в огні.
8. **Не слід кидати або ударяти акумулятор.**
9. **Не слід використовувати пошкоджений акумулятор.**
10. **Дотримуйтеся норм місцевого законодавства стосовно утилізації акумуляторів.**

ЗБЕРІГАЙТЕ ЦІ ВКАЗІВКИ.

⚠УВАГА:

НІКОЛИ НЕ СЛІД втрачати пильності та розслаблюватися під час користування виробом (що трапляється при частому використанні); слід завжди строго дотримуватися правил безпеки під час використання цього пристрою. **НЕНАЛЕЖНЕ ВИКОРИСТАННЯ** або недотримання правил безпеки, викладених в цьому документі, може призвести до серйозних травм.

ENC007-8

ВАЖЛИВІ ІНСТРУКЦІЇ БЕЗПЕКИ ДЛЯ КАСЕТИ АКУМУЛЯТОРА

1. **Перед тим як користуватися касетою акумулятора, слід прочитати усі інструкції та попереджуючі відмітки щодо (1) зарядний пристрій акумулятора, (2) акумулятор та (3) виробу, що працюють від акумулятора.**
2. **Не слід розбирати касету акумулятора.**
3. **Якщо період роботи дуже покоротшав, слід негайно припинити користування.** Це може призвести до ризику перегріву, опіку та навіть вибуху.
4. **Заряджайте касету з акумулятором кожні шість місяців, якщо не використовуєте її протягом тривалого часу.**

ІНСТРУКЦІЯ З ВИКОРИСТАННЯ

⚠УВАГА:

- **Перед тим як відрегулювати інструмент або перевірити його функціональність, слід переконатися, що інструмент вимкнено й касету з акумулятором знято.** Якщо інструмент не вимкнено й не знято касету з акумулятором, це може призвести до серйозних травм через випадковий запуск інструмента.

Встановлення та зняття касети з акумулятором

мал.1

⚠ОБЕРЕЖНО:

- Завжди вимикайте інструмент перед встановленням або зніманням касети з акумулятором.
- **Під час встановлення або зняття касети з акумулятором надійно утримуйте інструмент і касету з акумулятором.** Інакше інструмент або касета з акумулятором можуть вислизнути з рук, що може призвести до травм або пошкодження інструмента й касети з акумулятором.

Щоб зняти касету з акумулятором, слід витягнути її з інструмента, натиснувши на кнопку в передній частині касети.

Щоб установити касету з акумулятором, слід сумістити шпонку касети з акумулятором із пазом у корпусі та вставити касету на місце. Уставляйте її, доки не почуєте клацання. Якщо на верхній частині кнопки видно червоний індикатор, це означає, що вона заблокована не повністю.

⚠ОБЕРЕЖНО:

- Завжди уставляйте касету повністю, аж поки червоний індикатор стане невидимим. Якщо цього не зробити, касета може випадково випасти з інструмента та завдати травми вам або людям, що знаходяться поруч.
- Не встановлюйте касету з акумулятором із зусиллям. Якщо касета не вставляється легко, то це означає, що Ви її невірно вставляєте.

Система захисту акумулятора (літій-іонний акумулятор з маркувальною зірочкою)

мал.2

Літій-іонні акумулятори з маркувальною зірочкою оснащені системою захисту. Ця система автоматично вимикає живлення інструмента з метою збільшення робочого часу акумулятора.

Інструмент буде автоматично вимкнений під час роботи, якщо він та/або акумулятор знаходяться в таких умовах:

- **Перенавантаження:**
Інструмент споживає струм занадто високої потужності під час роботи. У такому разі пересуньте повзунковий перемикач інструмента в положення "О (ВИМК.)" та зупиніть роботу, яка призвела до перенавантаження інструмента. Після цього пересуньте повзунковий перемикач назад в положення "І (УВИМК.)" і перезапустіть інструмент. Якщо інструмент неможливо запустити, це означає, що акумулятор перегрівся. У цьому випадку дайте акумулятору охолонути, перш ніж пересунути повзунковий перемикач назад в положення "І (УВИМК.)".
- **Низька напруга акумулятора:**
Залишковий заряд акумулятора занадто низький, тому інструмент не буде працювати. У такому разі зніміть та зарядіть акумулятор.

Захист від перегрівання

Коли інструмент зазнає перенавантаження і його температура сягає певного рівня, інструмент автоматично зупиняється. У такому разі дозвольте інструменту охолонути, перш ніж знову його вмикати.

Дія вимикача

мал.3

⚠ОБЕРЕЖНО:

- **Перед тим як встановлювати касету з акумулятором в інструмент, слід завжди перевіряти, чи вимкнено інструмент.**

Для того щоб запустити інструмент, слід пересунути повзунковий перемикач в положення "І (ВМК.)".

Щоб зупинити інструмент, повзунковий перемикач слід пересунути у положення "О (ВИМК.)".

Регулювання швидкості орбітального ходу інструмента

мал.4

Швидкість орбітального ходу може регулюватися. Для зміни швидкості орбітального ходу слід повернути диск в одне із положень від 1 до 6. Чим більше число, тим вища швидкість орбітального ходу. Попередньо поставте диск на номер, що підходить для оброблюваної деталі.

ПРИМІТКА:

- Диск не можна повернути з 1 на 6 або з 6 на 1. Докладання зусиль при поводженні із диском може призвести до пошкодження інструмента. При зміні напрямку обертання диска завжди повертайте його через кожне проміжне число.

Лампочка індикатора

мал.5

- Коли залишковий заряд акумулятора стає низьким, починає мигати індикаторна лампа.
- Коли залишковий заряд акумулятора стає зовсім низьким, інструмент зупиняється під час роботи, а індикаторна лампа загоряється приблизно на 10 секунд.

У такому разі від'єднайте касету з акумулятором від інструмента та зарядіть її.

КОМПЛЕКТУВАННЯ

⚠ОБЕРЕЖНО:

- Завжди перевіряйте, щоб прилад був вимкнений, а касета з акумулятором була знята, перед тим, як проводити будь-які роботи на інструменті.

Установлення або знімання насадки (додаткове приладдя)

⚠УВАГА:

- Не встановлюйте насадку у переверненому положенні. Це може призвести до пошкодження інструмента і спричинити серйозну травму.
- Установіть насадку в правильному напрямку залежно від виконуваної роботи. Насадку можна встановлювати під різними кутами через кожні 30 градусів.

⚠ОБЕРЕЖНО:

- Будьте обережними під час закривання важеля блокування. Важіль блокування може закритися несподівано й защемити вам палець.
 - Видаляйте пил та час від часу змащуйте рухому частину важеля блокування. Інакше пил може накопичитися в рухомій частині важеля блокування й заважати його нормальному руху.
 - Не запускайте інструмент, коли важіль блокування відкритий. Це може призвести до пошкодження інструмента.
1. Повністю відкрийте важіль блокування. Вийміть утримувальний болт.

мал.6

2. Насуньте насадку (додаткове приладдя) на фланець інструмента таким чином, щоб виступи на фланці інструмента увійшли в отвори насадки.

мал.7

3. Уставте утримувальний болт до упору. Потім поверніть важіль блокування у вихідне положення.

мал.8

При використанні наждакової шліфувальної насадки установіть насадку на наждакову шліфувальну подушку таким чином, щоб вона відповідала напрямку останньої.

Наждакова шліфувальна подушка має систему фіксації велкро, яка сприяє її швидкому та простому встановленню.

Оскільки в наждаковому папері є отвори для пиловіддалення, установіть наждаковий папір таким чином, щоб отвори у наждаковому папері збіглися з отворами на наждаковій шліфувальній подушці.

Щоб зняти наждаковий папір, підійміть його за кінець і відірвіть.

Щоб вийняти утримувальний болт, виконайте процедуру встановлення у зворотному порядку.

мал.9

У разі використання насадки з іншим типом встановлення використовуйте відповідний адаптер (додаткове приладдя).

ЗАСТОСУВАННЯ

⚠УВАГА:

- Перш ніж запустити інструмент і під час роботи тримайте руки і обличчя подалі від насадки.

⚠ОБЕРЕЖНО:

- Не перенавантажуйте інструмент, інакше двигун буде заблоковано, і інструмент зупиниться.

Різання, розпилювання і зачищення

⚠ОБЕРЕЖНО:

- Не пересувайте інструмент, докладаючи силу, у напрямку робочої деталі (наприклад, до будь-якого краю) без ріжучої частини. Це може призвести до пошкодження інструмента.

мал.10

Установіть насадку на деталь.

Після цього пересувайте інструмент уперед таким чином, щоб рух насадки не сповільнювався.

ПРИМІТКА:

- Докладання надмірних зусиль або тиску на інструмент може знизити його ефективність.
- Перед виконанням різальних операцій рекомендується попередньо встановити швидкість орбітального ходу на 4–6.
- Відводячи інструмент відповідним чином, видаляйте тирсу. Це сприятиме підвищенню продуктивності роботи.
- Для виконання різання уздовж довгих прямих ліній рекомендується використовувати круглу пилу.

Шліфування

⚠ОБЕРЕЖНО:

- Не використовуйте повторно наждаковий папір, який використовувався для шліфування металу, для шліфування деревини.
- Не використовуйте зношений наждаковий папір і незернистий наждаковий папір.

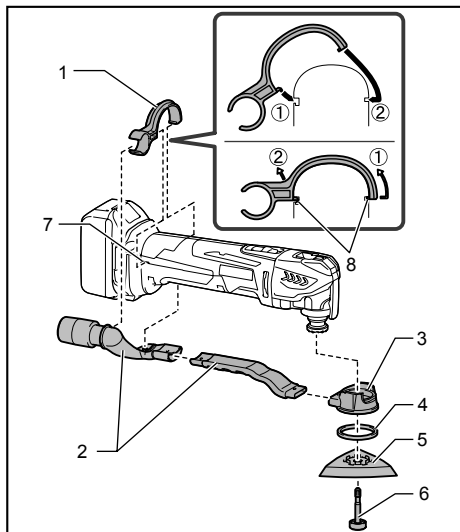
мал.11

Застосуйте наждаковий папір до деталі.

ПРИМІТКА:

- Для визначення правильної швидкості орбітального ходу, придатного для виконуваної роботи, рекомендується провести випробування на зразку матеріалу.
- Використовуйте наждаковий папір з однаковою зернистістю, поки не буде завершена обробка всієї деталі. Заміна наждакового паперу на папір із іншою зернистістю не дозволить отримати гарного результату шліфування.

Насадка для пиловидалення (додаткове приладдя)



1. Фіксатор штучера
2. Штучер для пилу
3. Насадка для пиловидалення
4. Фетрове кільце
5. Підкладка
6. Утримувальний болт
7. Отвори в інструменті
8. Виступи на фіксаторі штучера

014561

- Установіть штучери для пилу і насадку для пиловидалення.
- Установіть фіксатор штучера на інструмент таким чином, щоб його виступи входили в отвори на інструменті для закріплення.
- Установіть фетрове кільце і наждакову шліфувальну подушку на насадку для пиловидалення, після чого закріпіть їх монтажним болтом насадки.

мал.12

Якщо Ви хочете виконати операції з різання із дотриманням чистоти, до інструмента слід підключити пилосос. Приєднайте шланг пилососа до насадки для пиловидалення (додаткове приладдя).

ТЕХНІЧНЕ ОБСЛУГОВУВАННЯ

⚠ОБЕРЕЖНО:

- Завжди перевіряйте, щоб прилад був вимкнений, а касета з акумулятором була знята, перед проведенням перевірки або обслуговування.
- Ніколи не використовуйте газолін, бензин, розріджувач, спирт та подібні речовини. Їх використання може призвести до зміни кольору, деформації та появи тріщин.

Для того, щоб підтримувати БЕЗПЕКУ та НАДІЙНІСТЬ, ремонт, огляд та заміну вугільних щіток, будь-яке інше технічне обслуговування або регулювання мають виконувати уповноважені центри обслуговування "Макіта", де використовуються лише стандартні запчастини "Макіта".

ДОДАТКОВЕ ПРИЛАДДЯ

⚠ОБЕРЕЖНО:

- Це оснащення або приладдя рекомендовано для використання з інструментами "Макіта", що описані в інструкції з експлуатації. Використання якогось іншого оснащення або приладдя може спричинити травмування. Оснащення або приладдя слід використовувати лише за призначенням.

У разі необхідності, отримати допомогу в більш детальному ознайомленні з оснащенням звертайтеся до місцевого Сервісного центру "Макіта".

- Ріжуче полотно сегментної пили
- Ріжуче полотно круглої пили
- Ріжуче полотно врізної пили
- Скребок (твердий)
- Скребок (гнучкий)
- Ріжуче полотно зубчастої пили
- Загальна фугувальна фреза
- Твердосплавний пристрій видалення
- Твердосплавне ріжуче полотно сегментної пили
- Твердосплавна шліфувальна пластина
- Алмазне полотно сегментної пили

- Наждакова шліфувальна подушка
- Адаптер
- Дельта абразивного паперу (червоний / білий / чорний)
- Дельта вовни (середня / груба / незерниста)
- Дельта полірувального фетру
- Шестигранний ключ
- Насадка для пиловидалення
- Оригінальний акумулятор та заряджаючий пристрій Makita

ПРИМІТКА:

- Деякі елементи списку можуть входити до комплекту інструмента як стандартне приладдя. Вони можуть відрізнятися залежно від країни.

Makita Jan-Baptist Vinkstraat 2, 3070, Belgium
Makita Corporation Anjo, Aichi, Japan